

## RPM AC Inverter Duty Motor - Pricing

### DRIP-PROOF GUARDED FORCE VENTILATED (DPG-FV) 5 - 1000 HP 3-PHASE, 460V<sup>(1)</sup> CONTINUOUS CONSTANT TORQUE TO ZERO SPEED

#### FEATURES

- Continuous Duty
- 1000:1 Constant Torque below Base Speed
- Standard 1 Minute Overload
  - 150% below Base Speed
  - 110% above Base Speed
- Optimum Pole Design - 4 or 6 Pole Designs<sup>(2)</sup>
- Class H Insulation
- 40° C Ambient / 1.0 S.F.
- Three Thermostats (1 N.C. per Phase)
- Machined Bracket & tapped shaft for stub shaft for encoder



200 HP @ 1750 rpm, L2898 Frame DPFV

HP	Speed		Frame	FLA (3) @ 460V	List Price
	Base	Constant HP			
5	1750	2000	FL1831	7	\$2,585
	1450	1650	FL1831	7	2,740
	1150	2300	FL1831	7	2,740
	850	1700	FL1831	7	2,785
	650	850	FL1838	7	2,820
	500	650	FL1844	7	2,845
7.5	1750	2000	FL1831	11	2,610
	1450	1650	FL1831	11	2,740
	1150	1300	FL1831	11	2,740
	850	1050	FL1838	11	2,805
	650	850	FL1844	11	2,949
	500	650	FL1852	11	3,280
10	3550	4000	FL1831	14	2,650
	1750	3000	FL1831	14	2,640
	1450	1650	FL1831	14	2,740
	1150	2000	FL1838	14	2,785
	850	1050	FL1844	14	2,949
	650	850	FL1852	14	3,071
15	500	650	RL2162	14	3,810
	3550	3850	FL1831	21	2,717
	2500	3000	FL1831	21	2,788
	1750	2000	FL1838	21	2,650
	1450	1650	FL1838	21	2,785
	1150	1300	FL1844	21	2,915
20	850	1050	FL1852	21	3,033
	650	850	RL2162	21	4,240
	500	650	RL2173	21	4,820
	3550	3850	FL1831	27	2,895
	2500	3000	FL1831	27	2,955
	1750	2000	FL1838	27	2,705
20	1450	1650	FL1844	27	2,849
	1150	1300	FL1852	27	3,015
	850	1050	RL2162	27	3,484
	650	850	RL2168	27	4,655
	500	650	RL2570	27	5,684

HP	Speed		Frame	FLA (3) @ 460V	List Price
	Base	Constant HP			
25	3550	4000	FL1831	34	\$3,084
	2500	3000	FL1838	34	3,146
	1750	2000	FL1844 ▲	34	2,930
	1450	1650	FL1852	34	3,133
	1150	1300	RL2162	34	3,581
	850	1050	RL2168	34	4,010
30	650	850	RL2570	34	5,370
	500	650	RL2586	34	7,320
	3550	3850	FL1838	40	3,207
	2500	3000	FL1844	40	3,282
	1750	2000	FL1852	39	3,048
	1450	2000	RL2162	39	3,374
40	1150	1300	RL2168	38	4,290
	850	1050	RL2173	40	4,435
	650	850	RL2578	40	6,620
	500	650	RL2586	40	7,660
	3550	3850	FL1844	52	3,310
	2500	3000	FL1852	52	3,495
50	1750	2000	RL2162 ▲	52	3,550
	1450	2000	RL2168	52	3,974
	1150	1300	RL2168	51	4,843
	850	1050	RL2578	53	6,780
	650	850	RL2586	52	7,341
	500	650	L2882	52	9,780
60	3550	3850	FL1852	65	4,420
	2500	3000	RL2168	65	4,515
	1750	2000	RL2168 ▲	65	3,960
	1450	2000	RL2168	65	4,390
	1150	1300	RL2570 ▲	65	5,730
	850	1050	RL2578	65	7,160
60	650	850	L2882	65	10,440
	500	650	L2898	65	11,300
	3550	3850	RL2168	77	4,945
	2500	3000	RL2168	77	4,610
	1750	2000	RL2168 ▲	74	4,780
	1450	2000	RL2570	77	5,450
60	1150	1300	RL2578 ▲	73	6,360
	850	1050	RL2586	77	8,155
	650	850	L2890	77	11,360
	500	650	L2898	77	12,520

Price Symbol: RMAC

# RPM AC Inverter Duty Motor - Pricing

## DRIP-PROOF GUARDED FORCE VENTILATED (DPG-FV) 5 - 1000 HP 3-PHASE, 460V<sup>(1)</sup> CONTINUOUS CONSTANT TORQUE TO ZERO SPEED

HP	Speed		Frame	FLA (3) @ 460V	List Price
	Base	Constant HP			
75	3550	3850	RL2168	96	\$6,180
	2500	3000	RL2173	96	5,445
	1750	2000	RL2570 ▲	96	5,740
	1450	2000	RL2578	96	6,325
	1150	1300	RL2586 ▲	91	7,890
	850	1050	L2882	96	10,640
	650	850	L2898	96	14,400
	500	650	L3213	96	16,745
100	3550	3850	RL2570	124	8,190
	2500	3000	RL2578	124	7,555
	1750	2000	RL2578 ▲	119	6,960
	1450	1900	RL2586	120	7,660
	1150	1300	L2882 ▲	124	10,550
	850	1050	L2898	124	13,840
	650	850	L3213	124	18,400
	500	650	L3614	124	19,144
125	3550	3850	RL2578	156	9,940
	2500	3000	RL2578	156	9,660
	1750	2000	RL2586 ▲	148	9,225
	1450	1850	L2882	156	10,186
	1150	1300	L2898 ▲	151	12,760
	850	1050	L3203	156	15,800
	650	850	L3614	156	20,840
	500	650	L4034	156	25,100
150	3550	3850	RL2586	180	10,964
	2500	3000	RL2586	180	10,800
	1750	2000	L2882 ▲	180	10,300
	1450	2000	L2898	180	13,456
	1150	1300	L3203 ▲	180	14,788
	850	1050	L3213	180	18,400
	650	850	L3614	180	21,800
	500	650	L4046	180	31,860
200	3550	3850	L2882	240	12,655
	2500	3000	L2890	240	14,910
	1750	2000	L2898 ▲	237	13,800
	1450	2000	L3203	240	15,650
	1150	1300	L3213 ▲	236	18,400
	850	1050	L3614	240	21,800
	650	850	L4046	240	33,260
	500	650	L4429 ❖	260	42,800
250	3550	3850	L2898	300	17,100
	2500	3000	L2898	300	16,540
	1750	2000	L3203 ▲	290	15,800
	1450	2000	L3213	300	18,122
	1150	1300	L3614 ▲	289	20,855
	850	1350	L4034	290	28,600
	650	850	L4429 ❖	325	42,800
	500	650	L4451 ❖	325	46,310

HP	Speed		Frame	FLA (3) @ 460V	List Price
	Base	Constant HP			
300	3550	3850	L3203	360	\$19,879
	2500	3000	L3213	360	18,934
	1750	2000	L3213 ▲	350	18,400
	1450	2000	L3614	355	20,499
	1150	1300	L4034 ▲	345	24,110
	850	1050	L4046	350	33,260
	650	850	L4440 ❖	390	44,144
	650	1500	L4461 ❖	450	52,600
350	500	650	L4461 ❖	390	52,600
	3550	3850	L3203	415	24,430
	2500	3000	L3213	415	24,100
	1750	2000	L3614 ▲	401	20,875
	1450	2800	L4034	405	25,134
	1150	1300	L4046 ▲	399	25,850
	850	1050	L4429 ❖	450	42,800
	850	850	L4461 ❖	450	52,600
400	3550	3850	L3213	477	26,550
	2500	3000	L3213	477	26,200
	1750	2000	L3614 ▲	477	23,300
	1450	2200	L4034	455	28,820
	1150	1300	L4046 ▲	451	35,200
	850	1050	L4440 ❖	505	46,550
	650	850	L4461 ❖	510	53,440
	650	1500	L4461 ❖	450	52,600
450	3550	3850	L3213	534	28,800
	2500	3000	L3614	534	27,600
	1750	2000	L4034	534	25,100
	1450	2000	L4046	534	32,787
	1150	1300	L4429 ❖	572	42,800
	850	1050	L4451 ❖	568	50,400
	850	1500	L4451 ❖	568	50,400
	850	1500	L4451 ❖	568	50,400
500	3550	3850	L3614	590	31,500
	2500	3000	L4034	590	30,800
	1750	2000	L4034 ▲	557	28,760
	1450	2000	L4429 ❖	625	42,800
	1150	1300	L4440 ❖	625	46,550
	850	1050	L4461 ❖	625	52,600
	850	1500	L4461 ❖	625	52,600
	850	1500	L4461 ❖	625	52,600
600	3550	3550	L4034	708	44,180
	2500	3000	L4034	708	42,400
	1750	2000	L4046 ▲	666	35,500
	1450	2200	L4440 ❖	747	48,550
	1150	1300	L4451 ❖	750	50,400
	1000	1200	L4461 ❖	750	52,600
	1750	2000	L4429 ❖▲	875	44,800
	1750	2000	L4429 ❖▲	875	44,800
700	1450	2200	L4451 ❖	865	50,400
	1200	1750	L4461 ❖	875	52,600
	1750	2000	L4440 ❖	975	48,550
	1450	1650	L4461 ❖	980	54,600
	1450	1650	L4461 ❖	980	54,600
	1450	1650	L4461 ❖	980	54,600
	1450	1650	L4461 ❖	980	54,600
	1450	1650	L4461 ❖	980	54,600
900	1750	2000	L4451 ❖	1095	52,400
	1750	2000	L4451 ❖	1095	52,400
1000 <sup>(4)</sup>	1750	2000	L4461 ❖▲	1202	58,650

For the most current version of Inverter Duty Motor dimension sheets and performance data, visit our web site at [www.reliance.com](http://www.reliance.com).

### Footnotes:

- (1) Standard voltages available: 230, 380, 400, 415, 460 & 575v. For any other special voltage, please see voltage in modification section.  
For typical full load amps for proper controller sizing, please use the RPM AC Motor Wizard Program or contact Reliance Electric.
  - (2) All RPM AC motors are Optimum Pole four pole designs, with the exception of L440 frames which are Optimum Pole six pole designs.
  - (3) For estimating purposes only.
  - (4) Requires a minimum inverter carrier frequency of 4 Khz.
- ❖ All RPM AC L440 frames include as standard Premium VPI Insulation, an Insulated opposite drive end bearing, Mill conduit box and PLS Bearing system.  
▲ Model number motor normally in stock. May include C-face

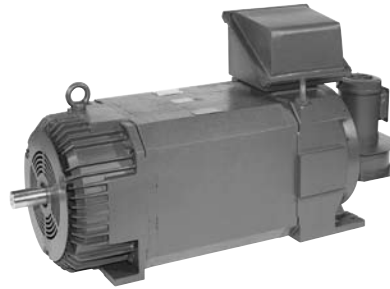
Price Symbol: R<sup>P</sup>M<sup>A</sup>C

# RPM AC Inverter Duty Motor - Pricing

## TOTALLY ENCLOSED BLOWER COOLED (TEBC) 5-500 HP 3-PHASE, 460V<sup>(1)</sup> CONTINUOUS CONSTANT TORQUE TO ZERO SPEED

### FEATURES

- Continuous Duty
- 1000:1 Constant Torque below Base Speed
- Standard 1 Minute Overload
  - 200% below Base Speed
  - 125% above Base Speed
- Optimum Pole Design - 4 or 6 Pole Designs<sup>(2)</sup>
- Class H Insulation
- 40° C Ambient / 1.0 S.F.
- Three Thermostats (1 N.C. per Phase)
- Top Mounted Conduit Box
- Machined Bracket & tapped shaft for stub shaft for encoder
- **Low Noise Over Wide Speed Range<sup>(5)</sup>**



**300 HP @ 1750 rpm, L4046 Frame TEBC  
with Inline 56 Frame Blower Motor**

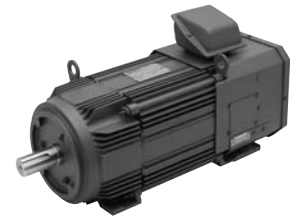
HP	Speed		Enclosure	Frame	FLA (3) @ 460V	List Price
	Base	CHP				
5	1750	3500	TEBC	FL1831	8	\$2,390
	1450	2900	TEBC	FL1831	8	2,480
	1150	2300	TEBC	FL1831	8	2,505
	850	1700	TEBC	FL1838	8	2,526
	650	1300	TEBC	FL1838	8	2,581
	500	1000	TEBC	FL1852	8	2,893
7.5	1750	3500	TEBC	FL1831	11	2,454
	1450	2900	TEBC	FL1838	11	2,505
	1150	2300	TEBC	FL1838	11	2,512
	850	1700	TEBC	FL1844	11	2,740
	650	1300	TEBC	FL1852	11	3,026
	500	1000	TEBC	FL2162	11	3,240
10	3500	3850	TEBC	FL1831	14	2,658
	1750	3500	TEBC	FL1838	14	2,658
	1450	2900	TEBC	FL1844	14	2,780
	1150	2300	TEBC	FL1844	14	2,810
	850	1700	TEBC	FL1852	14	3,014
	650	1300	TEBC	FL2162	14	3,810
15	500	1000	TEBC	FL2168	14	4,255
	3550	3850	TEBC	FL1831	21	2,860
	2500	3500	TEBC	FL1838	21	2,860
	1750	3500	TEBC	FL1844 ▲	21	2,695
	1450	2900	TEBC	FL1852	21	2,891
	1150	2300	TEBC	FL2162	21	3,267
20	850	1700	TEBC	FL2162	21	3,760
	650	1300	TEBC	FL2168	21	4,276
	500	1000	TEBC	FL2570	21	5,156
	3550	3850	TEBC	FL1838	27	3,121
	2500	3500	TEBC	FL1844	27	3,244
	1750	3500	TEBC	FL1852 ▲	27	2,676
25	1450	2900	TEBC	FL2162	27	3,280
	1150	2300	TEBC	FL2162	27	3,490
	850	1700	TEBC	FL2168	27	4,010
	650	1300	TEBC	FL2570	27	5,787
	500	1000	TEBC	FL2578	27	6,833
	3550	3850	TEBC	FL1838	34	3,307
30	2500	3500	TEBC	FL1852	34	3,443
	1750	3500	TEBC	FL2162 ▲	34	3,132
	1750 <sup>(7)</sup>	3500	TEAO-IL	FL1852	34	3,294
	1450	2900	TEBC	FL2162	34	3,498
	1150	2300	TEBC	FL2168	34	3,925
	850	1700	TEBC	FL2173	34	4,910
40	650	1300	TEBC	FL2578	34	5,980
	500	1000	TEBC	FL2586	34	7,682
	3550	3850	TEBC	FL1844	40	3,845
	2500	3500	TEBC	FL2162	40	3,322
	1750	3500	TEBC	FL2162 ▲	39	3,688
	1450	2900	TEBC	FL2173	39	4,482
50	1150	2300	TEBC	FL2173	40	4,482
	850	1700	TEBC	FL2578	40	5,511
	650	1300	TEBC	FL2586	40	6,285
	500	1000	TEBC	L2898	40	10,433
	3550	3850	TEBC	FL2162	52	4,130
	2500	3500	TEBC	FL2162	52	5,510
60	1750	3500	TEBC	FL2173 ▲	52	3,580
	1450	2900	TEBC	FL2570	52	4,258
	1450 <sup>(6)</sup>	2900	TEAO-P/B	FL2173	52	4,191
	1150	2300	TEBC	FL2578	52	5,176
	850	1700	TEBC	FL2586	52	5,894
	650	1300	TEBC	L2898	52	10,200
75	500	1000	TEBC	L3213	52	12,790
	3550	3850	TEBC	FL2162	65	5,308
	2500	3500	TEBC	FL2168	65	6,775
	1750	3500	TEBC	FL2570 ▲	61	4,590
	1750 <sup>(6)</sup>	3500	TEAO-P/B	FL2173	61	4,588
	1450	2900	TEBC	FL2578	61	5,230
100	1150	2300	TEBC	FL2586	65	5,890
	850	1700	TEBC	L2898	65	9,641
	650	1300	TEBC	L3213	65	12,810
	500	1000	TEBC	L4022	65	20,455
	3550	3850	TEBC	FL2168	77	6,240
	2500	3500	TEBC	FL2173	77	6,480
150	1750	3500	TEBC	FL2578 ▲	74	5,895
	1450	2900	TEBC	FL2586	75	6,145
	1150	2300	TEBC	L2898	77	9,240
	850	1700	TEBC	L3203	77	11,180
	650	1300	TEBC	L3698	77	19,800
	500	1000	TEBC	L3614	77	22,309
200	3550	3850	TEBC	FL2173	96	6,860
	2500	3500	TEBC	FL2578	96	7,210
	1750	3500	TEBC	FL2586 ▲	94	7,040
	1450	2900	TEBC	L2898	96	9,189
	1150	2300	TEBC	L3203	96	11,980
	850	1700	TEBC	L3213	96	13,600
250	650	1300	TEBC	L3614	96	21,430
	500	1000	TEBC	L4046	96	25,644

HP	Speed		Enclosure	Frame	FLA (3) @ 460V	List Price
	Base	CHP				
30	3550	3850	TEBC	FL1844	40	\$3,560
	2500	3500	TEBC	FL2162	40	3,845
	1750	3500	TEBC	FL2162 ▲	39	3,322
	1450	2900	TEBC	FL2173	39	3,688
	1150	2300	TEBC	FL2173	40	4,482
	850	1700	TEBC	FL2578	40	5,511
40	650	1300	TEBC	FL2586	40	6,285
	500	1000	TEBC	L2898	40	10,433
	3550	3850	TEBC	FL2162	52	4,130
	2500	3500	TEBC	FL2162	52	5,510
	1750	3500	TEBC	FL2173 ▲	52	3,580
	1450	2900	TEBC	FL2570	52	4,258
50	1450 <sup>(6)</sup>	2900	TEAO-P/B	FL2173	52	4,191
	1150	2300	TEBC	FL2578	52	5,176
	850	1700	TEBC	FL2586	52	5,894
	650	1300	TEBC	L2898	52	10,200
	500	1000	TEBC	L3213	52	12,790
	3550	3850	TEBC	FL2162	65	5,308
60	2500	3500	TEBC	FL2168	65	6,775
	1750	3500	TEBC	FL2570 ▲	61	4,590
	1750 <sup>(6)</sup>	3500	TEAO-P/B	FL2173	61	4,588
	1450	2900	TEBC	FL2578	61	5,230
	1150	2300	TEBC	FL2586	65	5,890
	850	1700	TEBC	L2898	65	9,641
75	650	1300	TEBC	L3213	65	12,810
	500	1000	TEBC	L4022	65	20,455
	3550	3850	TEBC	FL2168	77	6,240
	2500	3500	TEBC	FL2173	77	6,480
	1750	3500	TEBC	FL2578 ▲	74	5,895
	1450	2900	TEBC	FL2586	75	6,145
100	1150	2300	TEBC	L2898	77	9,240
	850	1700	TEBC	L3203	77	11,180
	650	1300	TEBC	L3698	77	19,800
	500	1000	TEBC	L3614	77	22,309
	3550	3850	TEBC	FL2173	96	6,860
	2500	3500	TEBC	FL2578	96	7,210
150	1750	3500	TEBC	FL2586 ▲	94	7,040
	1450	2900	TEBC	L2898	96	9,189
	1150	2300	TEBC	L3203	96	11,980
	850	1700	TEBC	L3213	96	13,600
	650	1300	TEBC	L3614	96	21,430
	500	1000	TEBC	L4046	96	25,644

Price Symbol: RPMAC

## RPM AC Inverter Duty Motor - Pricing

**TOTALLY ENCLOSED BLOWER COOLED (TEBC) 5-500 HP  
3-PHASE, 460V<sup>(1)</sup>  
CONTINUOUS CONSTANT TORQUE TO ZERO SPEED**



**75 HP @ 1750 rpm,  
FL2586 Frame TEBC**

HP	Speed		Enclosure	Frame	FLA (3) @ 460V	List Price
	Base	CHP				
100	3550	3850	TEBC	FL2578	124	\$8,654
	2500	3500	TEBC	FL2586	124	8,903
	1750	3500	TEBC	L2898 ▲	123	9,210
	1450	2900	TEBC	L3203	124	11,433
	1150	2300	TEBC	L3213	124	12,640
	850	1700	TEBC	L3614	124	18,860
	650	1300	TEBC	L4046	124	24,440
	500	1000	TEBC	L4429 ◆	135	36,610
125	3550	3850	TEBC	FL2586	156	8,810
	2500	3500	TEBC	L3203	156	12,988
	1750	3500	TEBC	L3203 ▲	150	11,810
	1450	2900	TEBC	L3213	156	12,598
	1150	2300	TEBC	L3614	156	17,835
	850	1700	TEBC	L4034	156	20,866
	650	1300	TEAO-PB	L4429 ◆	168	34,900
	500	1000	TEAO-PB	L4451 ◆	166	42,800
150	3550	3850	TEBC	L3203	180	13,890
	2500	3500	TEBC	L3213	180	14,840
	1750	3500	TEBC	L3213 ▲	177	15,800
	1450	2900	TEBC	L3614	180	17,840
	1150	2300	TEBC	L3614	180	19,885
	850	1700	TEBC	L4046	180	25,890
	650	1300	TEAO-PB	L4429 ◆	200	35,700
	500	1000	TEAO-PB	L4461 ◆	198	49,328
200	3550	3850	TEBC	L3213	240	15,810
	2500	3500	TEBC	L3698	230	20,090
	1750	3500	TEBC	L3614 ▲	227	17,480
	1450	2900	TEBC	L4034	240	22,489
	1150	2300	TEBC	L4046	240	24,105
	850	1700	TEAO-PB	L4440 ◆	260	35,700
	650	1300	TEAO-PB	L4461 ◆	260	48,640

HP	Speed		Enclosure	Frame	FLA (3) @ 460V	List Price
	Base	CHP				
250	3550	3850	TEBC	L3614	300	\$23,611
	2500	3500	TEBC	L3614	300	23,985
	1750	3500	TEBC	L4034 ▲	300	21,885
	1450	2900	TEBC	L4046	300	26,451
	1150	2300	TEAO-PB	L4429 ◆	325	39,795
	850	1700	TEAO-PB	L4461 ◆	325	49,328
300	2500	3500	TEBC	L4046	360	27,880
	1750	3500	TEBC	L4046 ▲	360	26,855
	1450	2900	TEBC	L4440 ◆	385	35,900
350	1150	2300	TEAO-PB	L4451 ◆	390	42,810
	2500	2700	TEAO-PB	L4429 ◆	470	39,266
	1750	2700	TEAO-PB	L4440 ◆	470	33,600
	1450	2900	TEAO-PB	L4451 ◆	470	41,397
	1150	2300	TEAO-PB	L4461 ◆	440	44,200
400	2500	2700	TEAO-PB	L4440 ◆	530	42,524
	1750	2700	TEAO-PB	L4451 ◆	536	37,955
450	1450	1650	TEAO-PB	L4461 ◆	565	47,200
	2500	2700	TEAO-PB	L4451	600	45,210
500	1750	2700	TEAO-PB	L4461 ◆	563	43,880
	2500 <sup>(4)</sup>	2700	TEAO-PB	L4461 ◆	655	48,633
600 - 1,000	1750 <sup>(4)</sup>	2500	TEAO-PB	L4461 ◆	613	44,200
	See Drip-Proof Guarded Force Ventilated section. Contact Reliance Electric for price and availability of Totally Enclosed motors for 600 - 1,000 HP motors					

For the most current version of Inverter Duty Motor dimension sheets and performance data, visit our web site at [www.reliance.com](http://www.reliance.com).

**Footnotes:**

- (1) Standard voltages available: 230, 380, 400, 415, 460 & 575v. For any other special voltage, please see voltage in modification section.  
For typical full load amps for proper controller sizing, please use the RPM AC Motor Wizard Program or contact Reliance Electric.
- (2) All RPM AC motors are Optimum Pole four pole designs, with the exception of L440 frames which are Optimum Pole six pole designs.
- (3) For estimating purposes only.
- (4) Requires a minimum inverter carrier frequency of 4 KHz.
- (5) See page M-173 for dbA values.
- (6) These ratings in FL2173 frame require TEAO-Piggyback blower (3/4 HP 56 Frame). Contact Reliance Electric for dimensions.
- (7) This rating requires oversized 3/4 HP 56 frame blower. Contact Reliance Electric for dimensions.
- ◆ Includes Insulated O.D.E. Bearing, VPI Insulation System, Large Mill Type Conduit Box and PLS / Ball Bearing Lubrication System.
- ▲ Model number motor normally in stock. May include C-face

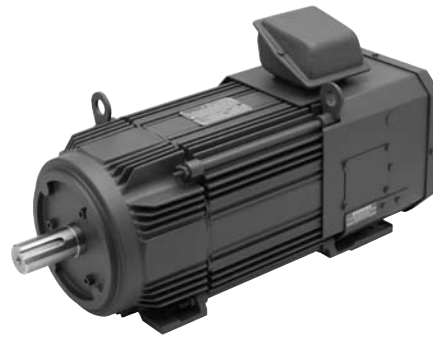
**Price Symbol: RPYAC**

## RPM AC Inverter Duty Motor - Pricing

**TOTALLY ENCLOSED FAN COOLED (TEFC)  
1000:1 CONSTANT TORQUE BELOW BASE SPEED  
7.5 - 200HP  
3-PHASE, 460V<sup>(1)</sup>  
CONTINUOUS CONSTANT TORQUE TO ZERO SPEED**

### FEATURES

- Continuous Duty
- 1000:1 Constant Torque below Base Speed
- Standard 1 Minute Overload
  - 200% below Base Speed
  - 125% above Base Speed
- Optimum Pole Design - 4 Pole Designs
- Class H Insulation
- 40° C Ambient / 1.0 S.F.
- Three Thermostats (1 N.C. per Phase)
- Top Mounted Conduit Box



**25 HP @ 1750 rpm, FL2173 Frame TEFC**

HP	Speed		Frame	FLA (2) @ 460V	List Price
	Base	CHP			
5	1750	3500	FL1831	8	\$2,250
	1450	2900	FL1838	8	2,365
	1150	2300	FL1844	8	2,442
	850	1700	FL1852	8	2,580
	650	1300	FL2168	8	2,985
	500	1000	FL2173	8	3,260
7.5	2500	3500	FL1838	11	2,390
	1750	3500	FL1838	11	2,311
	1450	2900	FL1844	11	2,388
	1150	2300	FL1852	11	2,686
	850	1700	FL2162	11	2,895
10	2500	3500	FL1844	14	2,454
	1750	3500	FL1844	14	2,337
	1450	2900	FL2162	14	2,885
	1150	2300	FL2162	14	2,940
	850	1700	FL2162	14	3,095
15	3550	3550	FL1844	21	2,633
	2500	3500	FL1852	21	2,633
	1750	3500	FL2162 ▲	21	2,762
	1450	2900	FL2162	21	2,961
	1150	2300	FL2168	21	3,145
20	850	1700	FL2578	21	3,290
	3550	3550	FL1852	27	2,985
	2500	3500	FL1852	27	2,980
	1750	3500	FL2162 ▲	27	2,882
	1450	2900	FL2173	27	3,176
	1150	2300	FL2578	27	3,485
	850	1700	FL2586	27	4,190

HP	Speed		Frame	FLA (2) @ 460V	List Price
	Base	CHP			
25	3550	3550	FL2162	34	\$3,230
	2500	3500	FL2162	34	3,230
	1750	3500	FL2173 ▲	34	3,180
	1450	2900	FL2578	34	3,455
	1150	2300	FL2586	34	4,120
	850	1700	L2898	34	8,870
30	3550	3550	FL2168	40	3,440
	2500	3500	FL2173	40	3,440
	1750	3500	FL2570 ▲	40	3,298
	1450	2900	FL2586	40	4,291
	1150	2300	L2898	40	8,840
40	850	1700	L3203	40	10,800
	3550	3550	FL2173	52	3,854
	2500	3500	FL2570	52	4,187
	1750	3500	FL2586 ▲	52	3,765
	1450	2500	L2898	52	8,826
	1150	2300	L3203	52	9,730
50	850	1700	L3213	52	11,560
	3550	3550	FL2570	65	4,465
	2500	3500	FL2578	65	4,465
	1750	2500	L2898	65	8,730
	1450	2500	L3203	65	10,980
60	1150	2300	L3203	65	11,640
	850	1700	L3213	65	12,800
	3550	3550	FL2578	77	5,825
	2500	2500	L2898	77	10,260
	1750	2500	L2898	77	9,475
	1450	2500	L3203	77	11,560
	1150	2300	L3213	77	12,450
	850	1700	L3698	77	16,600

Price Symbol: RMAC

## RPM AC Inverter Duty Motor - Pricing

**TOTALLY ENCLOSED FAN COOLED (TEFC)**  
**1000:1 CONSTANT TORQUE BELOW BASE SPEED**  
**7.5 - 200HP**  
**3-PHASE, 460V<sup>(1)</sup>**  
**CONTINUOUS CONSTANT TORQUE TO ZERO SPEED**

HP	Speed		Frame	FLA (2) @ 460V	List Price
	Base	CHP			
75	3550	3550	FL2586	96	\$6,468
	2500	2500	L3203	96	10,950
	1750	2500	L3203	96	10,240
	1450	2500	L3213	96	12,851
	1150	2300	L3698	96	15,840
	850	1700	L3614	96	17,840
100	2500	2500	L3203	124	11,700
	1750	2500	L3213	124	12,600
	1450	2500	L3698	124	15,400
	1150	2300	L3614	124	17,840
	850	1700	L4034	124	20,835

HP	Speed		Frame	FLA (2) @ 460V	List Price
	Base	CHP			
125	2500	2500	L3213	155	\$13,100
	1750	2500	L3698	155	15,322
	1450	2500	L3614	155	17,470
	1150	2300	L4034	155	20,844
150	2500	2500	L3698	180	15,100
	1750	2500	L3614	180	17,210
200	1450	2500	L4034	180	20,688
	2500	2500	L3614	238	17,550
	1750	2500	L4034	238	18,940

For the most current version of Inverter Duty Motor dimension sheets and performance data, visit our web site at [www.reliance.com](http://www.reliance.com).

**Footnotes:**

- (1) Standard voltages available: 230, 380, 400, 415, 460 & 575v. For any other special voltage, please see voltage in modification section.  
 For typical full load amps for proper controller sizing, please use the RPM AC Motor Wizard Program or contact Reliance Electric.
- (2) For estimating purposes only.
- ▲ Model number motor normally in stock. May include C-face

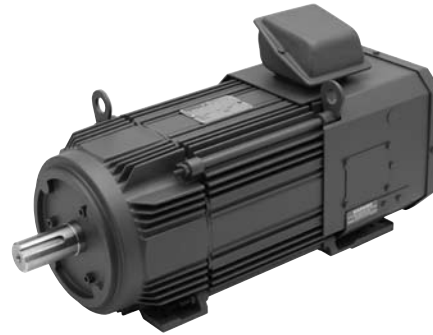
Price Symbol: RPMAC

## RPM AC Inverter Duty Motor - Pricing

### TOTALLY ENCLOSED FAN COOLED (TEFC) 4:1 CONSTANT TORQUE BELOW BASE SPEED 15 - 250HP 3-PHASE, 460V<sup>(1)</sup>

#### FEATURES

- Continuous Duty
- 4:1 Constant Torque below Base Speed
- Standard 1 Minute Overload
  - 200% below Base Speed
  - 125% above Base Speed
- Optimum Pole Design - 4 Pole Designs
- Class H Insulation
- 40° C Ambient / 1.0 S.F.
- Three Thermostats (1 N.C. per Phase)
- Top Mounted Conduit Box



#### 30 HP @ 1750 rpm, FL2173 Frame TEFC

HP	Speed		Frame	FLA (2) @ 460V	List Price
	Base	CHP			
7.5	2500	3500	FL1831	11	\$2,245
	1750	3500	FL1838	11	2,311
	1450	2900	FL1844	11	2,490
	1150	2300	FL1852	11	2,565
	850	1700	FL2162	11	2,708
10	2500	3500	FL1838	14	2,389
	1750	3500	FL1844	14	2,337
	1450	2900	FL1852	14	2,578
	1150	2300	FL2162	14	2,940
	850	1700	FL2162	12	3,095
15	3550	3550	FL1838	21	2,522
	2500	3500	FL1844	21	2,522
	1750	3500	FL2162	21	2,762
	1450	2900	FL2162	21	2,961
	1150	2300	FL2168	21	3,091
	850	1700	FL2578	21	3,290
	3550	3550	FL1844	27	2,980
20	2500	3500	FL1852	27	2,980
	1750	3500	FL2162	27	2,882
	1450	2900	FL2168	27	3,044
	1150	2300	FL2173	27	3,380
	850	1700	FL2586	27	4,190
25	3550	3550	FL1852	34	3,055
	2500	3500	FL2162	34	3,055
	1750	3500	FL2168	34	3,145
	1450	2900	FL2578	34	3,751
	1150	2300	FL2578	34	3,810
	850	1700	L2890	34	8,640

HP	Speed		Frame	FLA (2) @ 460V	List Price
	Base	CHP			
30	3550	3550	FL2162	40	\$3,238
	2500	3500	FL2168	40	3,370
	1750	3500	FL2173	40	3,288
	1450	2900	FL2586	40	4,167
	1150	3500	FL2586	40	4,780
	850	1700	L2890	40	8,825
40	3550	3550	FL2168	52	3,467
	2500	3500	FL2173	52	3,990
	1750	3500	FL2578	52	3,580
	1450	2500	L2882	52	7,880
	1150	2300	L2882	52	8,261
50	850	1700	L2898	52	8,870
	3550	3550	FL2173	65	4,320
	2500	3500	FL2570	65	4,455
	1750	2500	FL2586	65	4,640
	1450	2500	L2882	65	8,140
	1150	2300	L2882	65	8,844
60	850	1700	L3203	65	10,800
	3550	3550	FL2570	77	5,624
	2500	3550	FL2578	77	5,890
	1750	2500	L2882	77	8,490
	1450	2500	L2898	77	8,870
	1150	2300	L3203	77	11,640
	850	1700	L3213	77	12,800

Price Symbol: RMAC

## RPM AC Inverter Duty Motor - Pricing

**TOTALLY ENCLOSED FAN COOLED (TEFC)  
4:1 CONSTANT TORQUE BELOW BASE SPEED  
15 - 250HP  
3-PHASE, 460V<sup>(1)</sup>**

V-S Master Motor

RPM AC Motors  
1/3 - 5 HP

RPM AC Motors  
2 - 1,000 HP

Large AC Motors

Small, Medium & Large DC Motors

HP	Speed		Frame	FLA (2) @ 460V	List Price
	Base	CHP			
75	3550	3550	FL2578	96	\$6,360
	2500	3550	FL2586	96	7,684
	1750	2500	L2898	96	8,730
	1450	2500	L3203	96	9,892
	1150	2300	L3607	96	14,800
	850	1700	L3614	96	16,380
100	3550	3550	FL2586	124	8,310
	1750	2500	L3203	124	9,865
	1450	2900	L3698	124	15,811
	1150	2300	L3614	124	16,100
	850	1700	L4034	124	19,910

HP	Speed		Frame	FLA (2) @ 460V	List Price
	Base	CHP			
125	3550	3550	FL2586	156	\$9,945
	1750	2500	L3213	156	12,600
	1450	2500	L3614	156	17,470
	1150	2300	L4034	156	19,700
	850	1700	L4046	156	24,800
150	1750	2500	L3614	180	15,340
	1450	2500	L4034	180	20,688
	1150	2300	L4046	180	24,700
200	1750	2500	L4034	240	18,120
	1450	2500	L4046	240	23,844
250	1750	2500	L4046	302	24,650

For the most current version of Inverter Duty Motor dimension sheets and performance data, visit our web site at [www.reliance.com](http://www.reliance.com).

**Footnotes:**

- (1) Standard voltages available: 230, 380, 400, 415, 460 & 575v. For any other special voltage, please see voltage in modification section.  
For typical full load amps for proper controller sizing, please use the RPM AC Motor Wizard Program or contact Reliance Electric.
- (2) For estimating purposes only.

Price Symbol: RPMAC



**TOTALLY ENCLOSED NON-VENTILATED (TENV)  
CONTINUOUS DUTY  
2 - 100HP  
3-PHASE, 460V<sup>(1)</sup>  
CONTINUOUS CONSTANT TORQUE TO ZERO SPEED<sup>(2)</sup>**

**FEATURES**

- 1000:1 Constant Torque below Base Speed
- Standard 1 Minute Overload
  - 200% below Base Speed
  - 125% above Base Speed
- Optimum Pole Design - 4 or 6 Pole Designs <sup>(4)</sup>
- Class H Insulation
- 40° C Ambient / 1.0 S.F.
- Three Thermostats (1 N.C. per Phase)
- Top Mounted Conduit Box



**50 HP @ 3550 rpm, L2898 Frame TENV**

HP	Speed		Frame	FLA (2) @ 460V	List Price
	Base	CHP			
2	1450	2900	FL1831	3	\$2,095
	1150	2300	FL1831	3	2,095
	850	1700	FL1838	3	2,250
	650	1300	FL1838	3	2,250
	500	1000	FL1852	3	2,585
3	3550	3850	FL1831	5	2,110
	2500	3500	FL1831	5	2,110
	1750	2900	FL1831	5	2,090
	1450	2900	FL1831	5	2,130
	1150	2300	FL1831	5	2,147
	850	1700	FL1838	5	2,250
	650	1300	FL1852	5	2,585
5	500	1000	FL2168	5	2,980
	3500	3850	FL1831	7	2,172
	2500	3500	FL1831	7	2,172
	1750	3500	FL1838 ▲	7	2,250
	1450	2900	FL1844	7	2,468
	1150	2300	FL1852	7	2,595
	850	1700	FL2162	8	2,870
	650	1300	FL2168	8	2,980
	500	1000	FL2173	8	3,389
	7.5	3550	3850	FL1838	11
2500		3500	FL1844	11	2,354
1750		3500	FL1852 ▲	11	2,412
1450		2900	FL2162	11	2,854
1150		2300	FL2162	11	2,920
850		1700	FL2168	12	3,205
650		1300	FL2173	12	3,610
500	1000	FL2578	12	3,880	

HP	Speed		Frame	FLA (2) @ 460V	List Price
	Base	CHP			
10	3550	3850	FL1844	14	\$2,458
	2500	3500	FL1852	14	2,563
	1750	3500	FL2162	14	2,680
	1450	2900	FL2162	14	2,861
	1150	2300	FL2168	14	3,120
	850	1700	FL2570	14	3,730
	650	1300	FL2578	14	4,190
15	500	1000	L2890	14	8,790
	3550	3850	FL2162	21	3,090
	2500	3500	FL2162	21	3,090
	1750	3500	FL2173	21	2,980
	1450	2900	FL2570	21	3,730
	1150	2300	FL2578	21	3,922
	850	1700	FL2586	21	4,540
20	650	1300	L2898	21	8,951
	500	1000	L3203	21	11,688
	3550	3850	FL2168	27	3,593
	2500	3500	FL2173	27	3,560
	1750	3500	FL2570	27	3,340
	1450	2900	FL2578	27	3,922
	1150	2300	FL2586	27	4,545
25	850	1700	L2898	27	9,180
	650	1300	L3203	27	11,688
	500	1000	L3213	27	12,995
	3550	3850	FL2173	34	3,744
	2500	3500	FL2570	34	3,845
	1750	3500	FL2578	34	3,984
	1450	2900	FL2586	34	4,633
50	1150	2300	L2898	34	9,144
	850	1700	L3203	34	11,155
	650	1300	L3213	34	12,995
	500	1000	L3698	34	17,855

Price Symbol: RPMAC

## RPM AC Inverter Duty Motor - Pricing

**TOTALLY ENCLOSED NON-VENTILATED (TENV)  
CONTINUOUS DUTY  
2 - 100HP  
3-PHASE, 460V<sup>(1)</sup>  
CONTINUOUS CONSTANT TORQUE TO ZERO SPEED**

HP	Speed		Frame	FLA (2) @ 460V	List Price
	Base	CHP			
30	3550	3850	FL2570	40	\$4,580
	2500	3500	FL2578	40	4,540
	1750	3500	L2898	40	8,951
	1450	2900	L3203	40	11,179
	1150	2300	L3203	40	11,240
	850	1700	L3213	40	12,995
	650	1300	L3698	40	17,835
	500	1000	L4022	40	19,321
	40	3550	3850	FL2586	52
2500		3500	L3203	52	11,365
1750		3500	L3203	52	10,321
1450		2900	L3203	52	11,824
1150		2300	L3213	52	12,975
850		1700	L3698	52	17,100
650		1300	L3614	52	18,821
500		1000	L4046	52	21,945

HP	Speed		Frame	FLA (2) @ 460V	List Price	
	Base	CHP				
50	3550	3850	L2898	65	\$11,610	
	2500	3500	L3203	65	11,650	
	1750	3500	L3203	65	11,365	
	1450	2900	L3213	65	13,779	
	1150	2300	L3698	65	17,370	
	850	1700	L3614	65	18,973	
	650	1300	L4034	65	22,302	
	60	3550	3850	L3203	77	12,200
		2500	3500	L3213	77	13,444
1750		3500	L3607	77	16,912	
1450		2900	L3698	77	17,320	
1150		2300	L3614	77	19,494	
850		1700	L4046	77	21,400	
75	3550	3850	L3203	96	12,850	
	2500	3500	L3607	96	18,306	
	1750	3500	L3614	96	18,975	
	1450	2900	L4034	96	21,544	
	1150	2300	L4046	96	23,220	
	100	2500	3500	L3614	124	20,421
1750		3500	L4046	124	23,319	

For the most current version of Inverter Duty Motor dimension sheets and performance data, visit our web site at [www.reliance.com](http://www.reliance.com).

### Footnotes:

- (1) Standard voltages available: 230, 380, 400, 415, 460 & 575v. For any other special voltage, please see voltage in modification section.  
For typical full load amps for proper controller sizing, please use the RPM AC Motor Wizard Program or contact Reliance Electric.
- (2) For estimating purposes only.
- (3) All RPM AC motors will be Optimum Pole 4 Pole Designs, with the exception of L440 Frames (6 Pole Optimum Pole Designs), regardless of the base speed.



**50 HP @ 1750 rpm, L3203 Frame TENV  
with Lakeshore Encoder**

Price Symbol: RPMC

## RPM AC Inverter Duty Motor - Pricing

### TOTALLY ENCLOSED NON-VENTILATED (TENV-60M) 60 MINUTE DUTY 2 - 500HP 3-PHASE, 460V<sup>(1)</sup>

#### FEATURES

- 1000:1 Constant Torque below Base Speed
- Standard 1 Minute Overload
  - 200% below Base Speed
  - 125% above Base Speed
- Optimum Pole Design - 4 or 6 Pole Designs <sup>(3)</sup>
- Class H Insulation
- 40° C Ambient / 1.0 S.F.
- Three Thermostats (1 N.C. per Phase)
- Top Mounted Conduit Box



30 HP @ 650 rpm, L2898 Frame TENV

HP	Speed		Frame	FLA (2) @ 460V	List Price
	Base	CHP			
2	1450	2900	FL1831	3	\$2,095
	1150	2300	FL1831	3	2,095
	850	1700	FL1831	3	2,103
	650	1300	FL1831	3	2,250
	500	1000	FL1844	3	2,345
3	1750	3500	FL1831	5	2,090
	1450	2900	FL1831	5	2,130
	1150	2300	FL1831	5	2,147
	850	1700	FL1838	5	2,250
	650	1300	FL1844	5	2,345
500	1000	FL1852	5	2,563	
5	3550	3850	FL1831	7.6	2,172
	2500	3500	FL1831	7.6	2,172
	1750	3500	FL1831	7.6	2,152
	1450	2900	FL1838	7.6	2,255
	1150	2300	FL1838	7.6	2,290
	850	1700	FL1844	7.6	2,344
	650	1300	FL1852	7.6	2,676
500	1000	FL2162	7.6	2,976	
7.5	3550	3850	FL1831	11	2,210
	2500	3500	FL1831	11	2,290
	1750	3500	FL1838	11	2,345
	1450	2900	FL1844	11	2,477
	1150	2300	FL1844	11	2,510
	850	1700	FL1852	11	2,578
	650	1300	FL2162	11	2,980
500	1000	FL2173	11	3,395	
10	3550	3850	FL1831	14	2,340
	2500	3500	FL1838	14	2,355
	1750	3500	FL1844	14	2,433
	1450	2900	FL1852	14	2,565
	1150	2300	FL1852	14	2,598
	850	1700	FL2162	14	3,133
	650	1300	FL2173	14	3,483
500	1000	FL2570	14	3,966	
15	3550	3850	FL1838	21	2,660
	2500	3500	FL1844	21	2,870
	1750	3500	FL1852	21	2,605
	1450	2900	FL2162	21	2,786
	1150	2300	FL2168	21	3,010
	850	1700	FL2173	21	3,305
	650	1300	FL2570	21	3,875
500	1000	FL2586	21	4,222	

HP	Speed		Frame	FLA (2) @ 460V	List Price
	Base	CHP			
20	3550	3850	FL1844	27	\$2,920
	2500	3500	FL1852	27	3,060
	1750	3500	FL2162	27	2,860
	1450	2900	FL2168	27	2,992
	1150	2300	FL2173	27	3,120
	850	1700	FL2578	27	3,730
	650	1300	FL2586	27	4,540
500	1000	L2882	27	8,856	
25	3550	3850	FL1852	34	2,990
	2500	3500	FL2162	34	3,455
	1750	3500	FL2168	34	3,120
	1450	2900	FL2173	34	3,640
	1150	2300	FL2578	34	3,855
850	1700	FL2578	34	3,990	
650	1300	L2882	34	8,850	
500	1000	L2898	34	9,144	
30	3550	3850	FL2162	40	3,660
	2500	3500	FL2168	40	3,670
	1750	3500	FL2173	40	3,345
	1450	2900	FL2578	40	3,833
	1150	2300	FL2578	40	3,990
	850	1700	FL2586	40	4,540
650	1300	L2898	40	9,120	
500	1000	L2898	40	9,180	
40	3550	3850	FL2168	52	3,990
	2500	3500	FL2173	52	4,140
	1750	3500	FL2578	52	3,690
	1450	2900	FL2578	52	3,731
	1150	2300	FL2586	52	4,540
	850	1700	L2898	52	8,910
650	1300	L2898	52	9,125	
500	1000	L3203	52	11,240	
50	3550	3850	FL2173	65	4,038
	2500	3500	FL2578	65	4,505
	1750	3500	FL2578	65	3,756
	1450	2900	FL2586	65	4,278
	1150	2300	L2882	65	8,768
	850	1700	L2898	65	9,245
650	1300	L3203	65	10,200	
500	1000	L3203	65	11,230	

Price Symbol: RMAC

## RPM AC Inverter Duty Motor - Pricing

**TOTALLY ENCLOSED NON-VENTILATED (TENV-60M)  
60 MINUTE DUTY  
2 - 500HP  
3-PHASE, 460V<sup>(1)</sup>**

V-S Master Motor

RPM AC Motors  
1/3 - 5 HP

RPM AC Motors  
2 - 1,000 HP

Large AC Motors

Small, Medium & Large DC Motors

HP	Speed		Frame	FLA (2) @ 460V	List Price
	Base	CHP			
60	3550	3850	FL2578	77	\$5,105
	2500	3500	FL2586	77	5,410
	1750	3500	FL2586	77	4,540
	1450	2900	L2882	77	8,678
	1150	2300	L2890	77	8,890
	850	1700	L2898	77	9,240
	650	1300	L3203	77	10,650
	500	1000	L3213	77	12,975
75	3550	3850	L2882	96	8,860
	2500	3500	L2882	96	8,730
	1750	3500	L2882	96	8,740
	1450	2900	L2898	96	9,255
	1150	2300	L2898	96	9,755
	850	1700	L3203	96	10,623
	650	1300	L3213	96	12,380
	500	1000	L3614	96	19,322
100	3550	3850	L2898	124	9,310
	2500	3500	L2898	124	9,420
	1750	3500	L2898	124	9,280
	1450	2900	L3203	124	11,755
	1150	2300	L3203	124	12,100
	850	1700	L3213	124	13,240
	650	1300	L3614	124	17,878
	500	1000	L4034	124	22,690
125	3550	3850	L2898	156	10,780
	2500	3500	L2898	156	11,365
	1750	3500	L3203	156	11,100
	1450	2900	L3203	156	11,920
	1150	2300	L3213	156	12,315
	850	1700	L3614	156	18,760
	650	1300	L4034	156	20,455
	500	1000	L4451	167	38,545

HP	Speed		Frame	FLA (2) @ 460V	List Price
	Base	CHP			
150	3550	3850	L3203	180	\$12,200
	2500	3500	L3203	180	12,850
	1750	3500	L3203	180	12,820
	1450	2900	L3607	180	17,235
	1150	2300	L3698	180	18,435
	850	1700	L4046	180	23,687
	650	1300	L4440	198	35,450
	500	1000	L4461	198	42,610
200	3550	3850	L3213	240	13,544
	2500	3500	L3698	240	18,234
	1750	3500	L3698	240	17,235
	1450	2900	L3614	240	18,760
	1150	2300	L4046	240	22,545
	850	1700	L4440	261	35,450
	650	1300	L4461	261	42,610
	500	1000	L3698	302	19,210
250	2500	3500	L3698	305	19,210
	1750	3500	L3614	315	18,900
	1450	2900	L4046	302	23,190
	1150	2300	L4429	330	38,410
	850	1700	L4461	323	42,610
	3550	3850	L3614	390	22,010
	2500	3500	L3614	390	22,785
	1750	3500	L4046	361	23,200
300	1450	2900	L4440	398	35,450
	1150	2300	L4451	385	40,080
	750	2700	L4440	440	35,450
	3550	3850	L4451	455	40,080
	2500	3500	L4461	454	41,940
	1750	2700	L4451	536	40,453
	1450	2900	L4461	565	42,610
	1150	2300	L4461	568	42,010
350	750	2700	L4461	613	42,220
	500	1000	L4461	613	42,220

For the most current version of Inverter Duty Motor dimension sheets and performance data, visit our web site at [www.reliance.com](http://www.reliance.com)

**Footnotes:**

- (1) Standard voltages available: 230, 380, 400, 415, 460 & 575v. For any other special voltage, please see voltage in modification section.  
For typical full load amps for proper controller sizing, please use the RPM AC Motor Wizard Program or contact Reliance Electric.
- (2) For estimating purposes only.
- (3) All RPM AC motors will be Optimum Pole 4 Pole Designs, with the exception of L440 Frames (6 Pole Optimum Pole Designs), regardless of the base speed.

**Price Symbol: RPMAC**

## RPM AC Inverter Duty Motor - Pricing

**WIDE CONSTANT HORSEPOWER RANGE**  
**1000:1 CONSTANT TORQUE**  
**DRIP-PROOF GUARDED FORCE VENTILATED (DPG-FV)**  
**FOR CENTER WINDERS, PAYOFF AND TENSION REELS**  
**5 - 500 HP**  
**3-PHASE, 460V<sup>(2)</sup>**  
**CONTINUOUS CONSTANT TORQUE TO ZERO SPEED**

### FEATURES

- Continuous Duty
- 1000:1 Constant Torque below Base Speed
- Standard 1 Minute Overload
  - 150% below Base Speed
  - 125% above Base Speed
- Optimum Pole Designs - 4 or 6 Pole Designs<sup>(3)</sup>
- Class H Insulation
- 40° C Ambient / 1.0 SF.
- 60 Hz Blower Motor
- Three Thermostats (1 N.C. per Phase)



200 HP @ 500/2000 rpm, L4429 Frame DPFV

HP	Speed		Frame	FLA (4) @ 460V	List Price
	Base	C. Power			
5	1150	3450	FL1831	8	\$2,740
	850	2550	FL1838	8	2,845
	850	3400	FL1838	9	2,845
	650	1950	FL1838	9	2,845
	650	2600	FL1838	10	2,845
	500	2000	FL1844	11	2,940
7.5	1150	3450	FL1838	8	2,765
	850	2550	FL1838	13	2,820
	850	3400	FL1838	15	2,820
	650	1950	FL1844	13	2,849
	650	2600	FL1844	16	2,849
	500	2000	FL1852	16	3,380
10	1150	3450	FL1844	15	2,820
	850	2550	FL1844	17	2,930
	850	3400	FL1844	20	2,930
	650	1950	FL1852	17	3,380
	650	2600	FL1852	20	3,380
	500	2000	RL2162	25	3,810
15	1150	3450	FL1852	15	3,028
	850	2550	FL1852	28	3,130
	850	3400	FL1852	32	3,130
	650	1950	RL2162	35	4,240
	650	2600	RL2162	40	4,240
	500	2000	RL2173	32	4,820
20	1150	3450	FL1852	36	3,190
	850	2550	RL2162	44	3,255
	850	3400	RL2162	51	3,255
	650	1950	RL2168	41	4,655
	650	2600	RL2168	47	4,655
	500	2000	RL2570	49	5,684

HP	Speed		Frame	FLA (4) @ 460V	List Price
	Base	C. Power			
25	1150	3450	RL2162	54	\$3,581
	850	2550	RL2173	45	4,010
	850	3400	RL2173	52	4,010
	650	1950	RL2570	52	5,370
	650	2600	RL2570	61	5,370
	500	2000	RL2586	50	7,320
30	1150	3450	RL2168	56	4,310
	850	2550	RL2173	58	4,435
	850	3400	RL2173	67	4,435
	650	1950	RL2578	55	6,620
	650	2600	RL2578	63	6,620
	500	2000	RL2586	65	7,660
40	1150	3450	RL2168	84	4,843
	850	2550	RL2578	72	6,780
	850	3400	RL2578	83	6,780
	650	1950	RL2586	74	7,341
	650	2600	RL2586	85	7,341
	500	2000	L2882	94	9,780
50	1150	3450	RL2570	107	5,730
	850	2550	RL2586	90	7,160
	850	3400	RL2586	104	7,160
	650	1950	L2882	100	10,440
	650	2600	L2882	116	10,440
	500	2000	L2898	112	11,300
60	1150	3450	RL2578	113	6,970
	850	2550	RL2586	117	8,155
	850	3400	RL2586	136	8,155
	650	1950	L2890	122	11,360
	650	2600	L2890	141	11,360
	500	2000	L2898	145	12,520

Price Symbol: RMAC

## RPM AC Inverter Duty Motor - Pricing

**WIDE CONSTANT HORSEPOWER RANGE**  
**1000:1 CONSTANT TORQUE**  
**DRIP-PROOF GUARDED FORCE VENTILATED (DPG-FV)**  
**FOR CENTER WINDERS, PAYOFF AND TENSION REELS**  
**5 - 500 HP**  
**3-PHASE, 460V<sup>(2)</sup>**  
**CONTINUOUS CONSTANT TORQUE TO ZERO SPEED**

HP	Speed		Frame	FLA (4) @ 460V	List Price
	Base	C. Power			
75	1150	3450	RL2586	141	\$7,890
	850	2550	L2882	158	11,200
	850	3400	L2882	183	11,200
	650	1950	L2898	153	14,400
	650	2600	L2898	177	14,400
	500	2000	L3213	141	16,745
100	1150	3450	L2882	205	10,550
	850	2550	L2898	199	14,400
	850	3400	L2898	230	14,400
	650	1950	L3213	159	18,400
	650	2600	L3213	183	18,400
	500	2000	L3614	199	20,890
125	1150	3450	L2898	240	12,760
	850	2550	L3203	235	15,800
	850	3400	L3203	271	15,800
	650	1950	L3614	212	20,840
	650	2600	L3614	245	20,840
	500	2000	L4034	250	25,100
150	1150	3450	L3203	257	14,788
	850	2550	L3213	243	18,400
	850	3400	L3213	281	18,400
	650	1950	L3614	268	21,800
	650	2600	L3614	310	21,800
	500	2000	L4046	289	31,860

HP	Speed		Frame	FLA (4) @ 460V	List Price	
	Base	C. Power				
200	1150	3450	L3213	325	\$18,400	
	850	2550	L3614	361	21,800	
	850	3400	L3614	417	21,800	
	650	1950	L4046	338	33,260	
	650	2600	L4046	390	33,260	
	500	2000	L4429	450	42,800	
250	1150	3450	L3614	440	21,455	
	850	2550	L4034	454	28,600	
	850	3400	L4034	525	28,600	
	650	1950	L4429	462	42,800	
	650	2600	L4429	533	42,800	
	500	2000	L4451	548	46,310	
300	1150	3450	L4034	515	24,110	
	850	2550	L4046	544	33,260	
	650	1950	L4451	528	48,900	
	650	2600	L4451	610	48,900	
	350	1150	3450	L4046	583	27,966
		850	2550	L4440	594	45,800
650		1950	L4461	627	52,600	
650		2600	L4461	724	52,600	
400		1150	3450	L4046	718	35,200
		850	2550	L4440	722	46,550
	650	1950	L4461	(5)	53,440	
	450	850	2550	L4451	803	50,400
	500	850	2550	L4461	887	52,600

For the most current version of Inverter Duty Motor dimension sheets and performance data, visit our web site at [www.reliance.com](http://www.reliance.com).

### Footnotes:

- (1) Other speed ranges and base speeds available. Use the RPM AC Motor Wizard Program for your specific application needs.
- (2) Standard voltages available: 230, 380, 400, 415, 460 & 575v. For any other special voltage, please see voltage in modification section.  
For typical full load amps for proper controller sizing, please use the RPM AC Motor Wizard Program or contact Reliance Electric.
- (3) All RPM AC motors ARE Optimum Pole 4 Pole Designs and all L440 Frames are Optimum Pole 6 Pole Designs for all base speeds.
- (4) For estimating purposes only. Motor amps may be reduced with a larger frame size motor. Use the RPM AC Motor Wizard Program to facilitate optimal economic matching of motor and controller sizes.
- (5) For typical full load amps, please contact Product Marketing for estimate.

Price Symbol: RPMAC

## RPM AC Inverter Duty Motor - Pricing

**WIDE CONSTANT HORSEPOWER RANGE**  
**1000:1 CONSTANT TORQUE**  
**TOTALLY ENCLOSED BLOWER COOLED (TEBC)**  
**FOR CENTER WINDERS, PAYOFF AND TENSION REELS**  
**5 - 250HP - TEBC**  
**3-PHASE, 460V<sup>(2)</sup>**  
**CONTINUOUS CONSTANT TORQUE TO ZERO SPEED**

### FEATURES

- Continuous Duty
- 1000:1 Constant Torque below Base Speed
- Standard 1 Minute Overload
  - 200% below Base Speed
  - 125% above Base Speed
- Optimum Pole Designs - 4 or 6 Pole Designs<sup>(3)</sup>
- Class H Insulation
- 40° C Ambient / 1.0 SF.
- 60 Hz Blower Motor
- Three Thermostats (1 N.C. per Phase)
- Low Noise Throughout Speed Range<sup>(5)</sup>



**30 HP @ 850/3400 RPM FL2586 Frame**  
**TEBC with In-Line Blower**

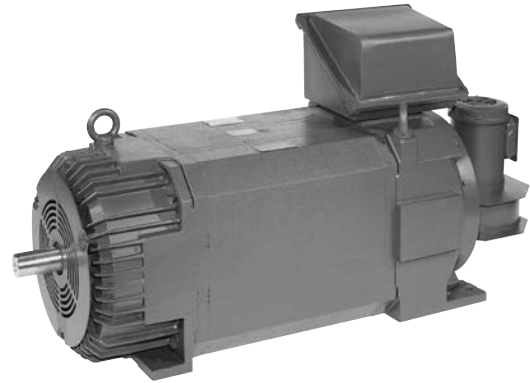
HP	Speed		Frame	FLA (4) @ 460V	List Price
	Base	C.Power			
5	1150	3450	FL1838	8	\$2,425
	850	2550	FL1838	8	2,526
	850	3400	FL1838	9	2,526
	650	1950	FL1838	9	2,581
	650	2600	FL1838	11	2,581
	500	2000	FL1844	11	2,740
7.5	1150	3450	FL1838	13	2,512
	850	2550	FL1844	13	2,880
	850	3400	FL1844	15	2,880
	650	1950	FL1852	13	3,080
	650	2600	FL1852	15	3,080
	500	2000	FL2168	14	3,810
10	1150	3450	FL1844	16	2,810
	850	2550	FL1852	17	3,325
	850	3400	FL1852	19	3,325
	650	1950	FL2168	16	3,810
	650	2600	FL2168	18	3,810
	500	2000	FL2173	19	4,955
15	1150	3450	FL2162	26	3,267
	850	2550	FL2162	26	3,760
	850	3400	FL2162	29	3,760
	650	1950	FL2570	25	5,300
	650	2600	FL2570	29	5,300
	500	2000	FL2578	29	5,787
20	1150	3450	FL2168	31	3,925
	850	2550	FL2570	33	5,380
	850	3400	FL2570	38	5,380
	650	1950	FL2578	33	5,787
	650	2600	FL2578	38	5,787
	500	2000	L2882	36	9,105

HP	Speed		Frame	FLA (4) @ 460V	List Price
	Base	C.Power			
25	1150	3450	FL2173	42	\$4,482
	850	2550	FL2578	40	4,910
	850	3400	FL2578	47	4,910
	650	1950	L2882	39	9,105
	650	2600	L2882	45	9,105
	500	2000	L2890	47	9,544
30	1150	3450	FL2578	46	5,176
	850	2550	FL2586	47	5,900
	850	3400	FL2586	55	5,900
	650	1950	L2890	46	9,544
	650	2600	L2890	53	9,544
	500	2000	L2898	56	10,200
40	1150	3450	FL2586	62	6,105
	850	2550	L2890	60	8,842
	850	3400	L2890	69	8,842
	650	1950	L2898	64	10,200
	650	2600	L2898	73	10,200
	500	2000	L3213	67	12,810
50	1150	3450	L2882	79	8,990
	850	2550	L2898	78	9,641
	850	3400	L2898	90	9,641
	650	1950	L3213	70	12,810
	650	2600	L3213	81	12,810
	500	2000	L3698	91	19,800
60	1150	3450	L2898	88	9,240
	850	2550	L3203	85	10,320
	850	3400	L3203	99	10,320
	650	1950	L3698	88	19,800
	650	2600	L3698	98	19,800
	500	2000	L3614	101	21,780

Price Symbol: RMAC

## RPM AC Inverter Duty Motor - Pricing

**WIDE CONSTANT HORSEPOWER RANGE**  
**1000:1 CONSTANT TORQUE**  
**TOTALLY ENCLOSED BLOWER COOLED (TEBC)**  
**FOR CENTER WINDERS, PAYOFF AND TENSION REELS**  
**5 - 250HP - TEBC**  
**3-PHASE, 460V<sup>(2)</sup>**  
**CONTINUOUS CONSTANT TORQUE TO ZERO SPEED**



**200 HP @ 1150/3450 rpm, L4046 Frame TEBC  
with Inline 56C Frame Blower Motor**

HP	Speed		Frame	FLA (4) @ 460V	List Price
	Base	C.Power			
75	1150	3450	L3203	104	\$11,980
	850	2550	L3213	109	13,600
	850	3400	L3213	126	13,600
	650	1950	L3614	116	21,430
	650	2600	L3614	132	21,430
	500	2000	L4046	125	24,440
100	1150	3450	L3213	142	12,640
	850	2550	L3614	141	18,860
	850	3400	L3614	162	18,860
	650	1950	L4046	141	24,440
	650	2600	L4046	163	24,440
	500	2000	L4429	185	34,900
125	1150	3450	L3614	166	18,630
	850	2550	L4034	191	20,866
	850	3400	L4034	230	20,866
	650	1950	L4429	194	34,900
	650	2600	L4429	224	34,900
	500	2000	L4451	222	41,149

HP	Speed		Frame	FLA (4) @ 460V	List Price
	Base	C.Power			
150	1150	3450	L3614	210	\$21,220
	850	2550	L4046	220	25,890
	850	3400	L4046	260	25,890
	650	1950	L4440	235	38,200
	650	2600	L4440	271	38,200
	500	2000	L4461	275	49,328
200	1150	3450	L4046	295	24,980
	850	2550	L4440	312	35,700
	650	1950	L4461	317	49,328
	650	2600	L4461	366	49,328
250	1150	3000	L4440	<sup>(5)</sup>	42,655
	850	2550	L4461	384	49,328

For the most current version of Inverter Duty Motor dimension sheets and performance data, visit our web site at [www.reliance.com](http://www.reliance.com)

### Footnotes:

- (1) Other speed ranges and base speeds available. Use the RPM AC Motor Wizard Program for your specific application needs.
- (2) Standard voltages available: 230, 380, 400, 415, 460 & 575v. For any other special voltage, please see voltage in modification section.  
For typical full load amps for proper controller sizing, please use the RPM AC Motor Wizard Program or contact Reliance Electric.
- (3) All RPM AC motors will be 4 Pole Designs, with the exception of L440 Frames (6 Pole Designs), regardless of the base speed.
- (4) For estimating purposes only. Motor amps may be reduced with a larger frame size motor. Use the RPM AC Motor Wizard Program to facilitate optimal economic matching of motor and controller sizes.
- (5) Contact Reliance Electric for quotation.
- (6) Larger ratings available with TEDC A/A and TEDC A/W heat exchanger. Contact Product Marketing for quotation.

Price Symbol: RPYAC



## RPM AC Inverter Duty Motor - Pricing

V\*S Master Motors

### RPMAC Extruder Duty Drip-Proof Guarded Force Ventilated - Without Encoder Class B Temperature Rise at Zero RPM Full Torque Continuous Constant Torque to Zero Speed

When your inverter duty applications require premium performance, and low class B temperature rise, RPM AC DPFV Extruder Duty motors are the perfect solution. These designs meet Class B temperature rise as noted even with full load torque applied at zero speed. They are still more compact and weigh less than most NEMA frame AC or DC motors. Also, available in IEC frames.

#### Features:

- Continuous constant torque to zero speed
- 200% starting and overload torque - for hard to start applications
- NEMA Class B temperature rise even at zero speed full load torque. Four times the insulation life of class F motors
- Standard Class H insulation system –premium epoxy (VPI is standard on L440 frames)
- Two sets of thermostats , warning and shutdown (three of each per phase, total six) for improved uptime and motor protection
- Washable Filter
- Encoder mounting provisions – machined flange and tapped shaft for stub shaft
- All L440 frames have insulated opposite drive end bearing
- Wide constant Hp range allows multiple base speed use with one motor
- More compact and less weight than standard NEMA cast iron frames
- F-1 mounting is standard.
- Suitable for 50 Hz blower rating and Class F Rise – No HP derating required

RPM AC Motors  
1/3 - 2 HP

RPM AC Motors  
2 - 1,000 HP

Large AC Motors

Small, Medium & Large DC Motors

HP	Speed, RPM		DPG-FV Frame	FLA at 460 V	List Price	WEIGHT (LBS)	DIMENSION SHEET
	Base	C. HP					
10	1750	3500	FL1831	14	\$3,280	153	617528-1
	1450	2150	FL1838	14	3,365	178	617230-1
	1150	2300	FL1844	14	3,485	201	617233-1
15	1750	3000	FL1844	21	3,355	201	617233-1
	1450	2150	FL1844	21	3,369	201	617233-1
	1150	2300	FL1852	21	3,535	230	617236-1
20	1750	3000	FL1852	27	3,653	230	617236-1
	1450	2150	FL1852	27	3,704	230	617236-1
	1150	1800	RL2162	27	4,256	305	617202-1
25	1750	3500	RL2158	34	3,985	278	617259-1
	1450	2150	RL2168	34	4,357	345	617206-1
	1150	2300	RL2168	34	4,688	345	617206-1
30	1750	3510	RL2162	40	4,225	305	617202-1
	1450	2150	RL2168	40	4,640	345	617206-1
	1150	1730	RL2168	40	4,965	345	617206-1
40	1750	3230	RL2168	52	4,580	345	617206-1
	1450	2150	RL2570	52	5,925	480	617214-1
	1150	1800	RL2570	52	6,260	480	617214-1
50	1750	2550	RL2173	65	5,030	375	617210-1
	1450	2150	RL2578	65	6,890	545	617218-1
	1150	2000	RL2578	65	7,290	545	617218-1
60	1750	2600	RL2570	77	6,095	480	617214-1
	1450	2150	RL2586	77	7,865	615	617222-1
	1150	2200	L2882	77	11,225	775	616760-1
75	1750	3000	RL2578	96	7,635	545	617218-1
	1450	2150	L2882	95	10,861	775	616760-1
	1150	1750	L2882	96	11,755	775	616760-1
100	1750	2650	L2882	124	9,754	775	616760-1
	1450	2150	L2898	124	13,265	1065	616760-1
	1150	1400	L2898	124	13,435	1065	616760-1

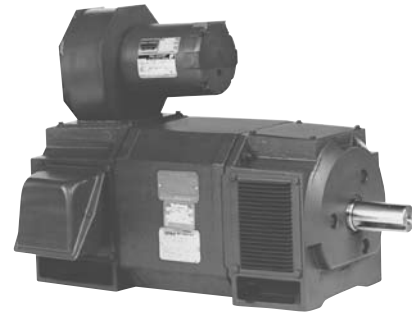
Price Symbol: RPMAC

M-110

**RELIANCE  
ELECTRIC**

## RPM AC Inverter Duty Motor - Pricing

**RPMAC Extruder Duty  
Drip-Proof Guarded Force Ventilated - Without Encoder  
Class B Temperature Rise at Zero RPM Full Torque  
Continuous Constant Torque to Zero Speed**



**50 HP 1750 RPM RL2173 Frame DPG-FV**

HP	Speed, RPM		DPG-FV Frame	FLA at 460 V	List Price	WEIGHT (LBS)	DIMENSION SHEET
	Base	C. HP					
125	1750	2950	L2890	157	\$10,975	915	616760-1
	1450	2150	L2898	157	14,040	1065	616760-1
	1150	2350	L3203	156	15,463	1185	616764-1
150	1750	2650	L2898	180	14,110	1065	616760-1
	1450	2150	L3203	180	15,463	1185	616764-1
	1150	2350	L3213	180	19,075	1325	616764-1
200	1750	2500	L3203	240	16,145	1185	616764-1
	1450	2150	L3698	240	18,790	1395	609998-1
	1150	2000	L3614	240	19,575	1715	609998-1
250	1750	2500	L3698	300	19,075	1395	609998-1
	1450	2150	L3614	302	21,279	1715	609998-1
	1150	2000	L4034	302	24,785	2050	609998-1
300	1750	3000	L3614	360	21,550	1715	609998-1
	1450	2150	L4034	361	25,780	2000	609998-1
	1150	2000	L4034	361	25,780	2000	609998-1
350	1750	2700	L4034	414	25,414	2000	609998-1
	1450	2150	L4046	414	26,525	2100	609998-1
	1150	2500	L4046	398	26,525	2050	609998-1
400	1750	2500	L4034	449	26,940	2000	609998-1
	1450	2150	L4046	450	29,875	2050	609998-1
	1150	1700	L4429(1)	507	43,475	3000	615917-1
450	1750	2650	L4046	530	29,435	2050	609998-1
	1450	2150	L4440	568	46,980	3307	615917-1
	1150	2000	L4461(1)	580	48,355	3889	615917-1
500	1750	3000	L4046	560	36,175	3000	609998-1
	1450	2150	L4440	631	49,515	3307	615917-1
	1150	2380	L4461(1)(4)	669	53,640	3889	615917-1
600	1750	2700	L4451(1)	747	48,180	3612	615917-1
	1450	2150	L4461	747	52,880	3889	615917-1
700	1750	2700	L4461(1)	864	52,880	3889	615917-1

- (1) All L440 frames include premium class H insulation with VPI, and an insulated opposite drive end bearing.
- (2) For other flange mounting options and TEFC or TEBC options, contact Reliance Electric. IEC ratings see page M-136
- (3) Non-stock Model
- (4) Class F rise

For the most current version of Inverter Duty Motor dimension sheets and performance data, visit our web site at [www.reliance.com](http://www.reliance.com)

**Price Symbol: RPMAC**

## RPM AC Inverter Duty Motor - Pricing

### MEDIUM AND LOW INERTIA INDUCTION SERVO DRIP-PROOF GUARDED FORCE VENTILATED (DPG-FV) 3-PHASE, 460V<sup>(1)</sup> Continuous Constant Torque to Zero Speed

Standard RPM AC DPFV motors inherently have the lowest inertia (highest torque to inertia ratio) of any induction motor.

MEDIUM INERTIA INDUCTION SERVO MOTORS use the standard DPFV rotor inertia with high vibration feature enhancements for use in fast response applications.

EXTRA LOW INERTIA RPM AC DPFV motors are available in frames AL360 and AL400. These AL frames have been designed specifically to offer the lowest induction motor inertia for even faster response than the MEDIUM INERTIA motors.

RPM AC motors have been successfully applied to various types of positioning systems in the automotive, metals, paper, corrugating and printing industries. Typical applications include transfer presses, flying die shears, carriage cut off and cyclic cutter knife drives.

Induction servo motors are rated in continuous torque instead of HP. To determine the frame size and full load amps, select the continuous torque in units desired (lbs-ft or Newton-Meters) at the required base speed from the table below.

#### FEATURES

- Continuous Duty
- 1000:1 Constant Torque Below Base Speed
- IP23/IC06 Enclosure (DPFV)
- Base Speeds: See Rating Table<sup>(2)</sup>
- Optimum Pole Designs:
  - FL180 - L400 Frames - 4 Pole
  - L440 Frames - 6 Pole
- 40° C Ambient / 1.0 S.F.
- Class H Insulation
- Three Thermostats (1 N.C. per Phase)
- High Vibration Duty Features:
  - Braced Blower Assembly
  - Lockwashers and Loctite™ on All Fasteners
  - VPI Insulation System

Medium Inertia Servo Motors - 60 Hz Blower

Frame	Motor Inertia			Torque				FLA <sup>(4)</sup> @ 460V at Base Speed Shown				List Price	
	NEMA	WK <sup>2</sup>	GD <sup>2</sup>	MR <sup>2</sup>	Continuous	Peak <sup>(3)</sup>	Continuous	Peak <sup>(3)</sup>	Base RPM				NEMA Frame
		LB-FT <sup>2</sup>	KG-M <sup>2</sup>	KG-M <sup>2</sup>	LB-FT	LB-FT	N-M	N-M	500	850	1500	1750	
FL1831		0.392	0.066	0.016	40	60	54	81	6	10	16	17	\$4,445
FL1838		0.53	0.088	0.022	60	90	81	121	9	14	24	27	4,575
FL1844		0.645	0.108	0.027	70	125	95	170	10	17	29	34	4,812
FL1852		0.8	0.136	0.034	90	135	123	185	12	20	35	40	4,930
RL2162		1.92	0.32	0.08	120	180	162	244	16	26	45	52	5,500
RL2168		2.32	0.392	0.098	150	225	203	305	23	38	56	65	5,950
RL2173		2.64	0.444	0.111	200	300	271	407	26	43	74	85	6,515
RL2570		3.5	0.59	0.147	225	338	305	458	29	48	83	96	7,988
RL2578		4.2	0.708	0.177	289	434	392	588	37	61	105	120	9,171
RL2586		4.9	0.84	0.21	375	562	508	762	47	78	133	156	10,298
L2882		8.3	1.4	0.35	450	675	610	915	53	88	150	180	12,940
L2890		9.7	1.64	0.41	510	765	692	1038	63	105	176	204	14,630
L2898		11.1	1.88	0.47	600	900	813	1220	74	121	206	240	15,590
L3203		21	3.56	0.89	750	1,475	1017	1526	91	152	258	289	18,040
L3213		24	4.04	1.01	900	1,620	1220	2196	108	176	310	350	20,800
L3698		35	5.88	1.47	920	1,578	1248	1872	110	178	316	368	22,320
L3614		45	7.6	1.9	1200	2,160	1627	2928	142	233	406	477	26,560
L4034		73	12.32	3.08	1500	2,925	2035	3968	173	293	509	590	34,200
L4046		85	14.32	3.58	1800	3,420	2440	4630	206	351	607	695	37,020
L4429		150	25.28	6.32	2100	3,675	2847	4270	261	434	747	875	45,690
L4440		169	28.48	7.12	2400	3,800	3250	4890	296	493	847	979	49,710
L4451		189	31.84	7.96	2700	4,050	3660	5500	332	552	947	1095	52,470
L4461		207	34.88	8.72	3000	4,500	4067	6105	367	611	1045	1202	59,230

Price Symbol: RPMAC

## RPM AC Inverter Duty Motor - Pricing

### MEDIUM AND LOW INERTIA INDUCTION SERVO DRIP-PROOF GUARDED FORCE VENTILATED (DPG-FV) 3-PHASE, 460V<sup>(1)</sup> Continuous Constant Torque to Zero Speed

V-S Master Motor

RPM AC Motors  
1/3 - 5 HP

RPM AC Motors  
2 - 1,000 HP

Large AC Motors

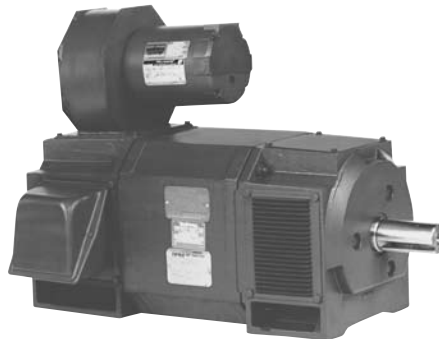
Small, Medium & Large DC Motors

Low Inertia Servo Motors - 50 or 60 Hz Blower												
Frame	Motor Inertia			Torque				FLA <sup>(4)</sup> @ 460V				List Price
	WK <sup>2</sup> LB-FT <sup>2</sup>	GD <sup>2</sup> KG-M <sup>2</sup>	MR <sup>2</sup> KG-M <sup>2</sup>	Continuous LB-FT	Peak <sup>(3)</sup> LB-FT	Continuous N-M	Peak N-M	Base RPM				
								500	850	1500	1750	
AL3698	19	3.2	0.8	850	1,529	1153	2073	103	167	290	335	\$26,850
AL3614	24.5	4.12	1.03	1105	1,988	1498	2695	132	215	370	429	31,925
AL4022	37.8	6.36	1.59	1260	2,519	1709	3415	148	238	421	490	35,730
AL4034	45.5	7.68	1.92	1550	3,098	2102	4201	181	293	506	590	38,700
AL4046	52.4	8.84	2.21	1830	3,658	2481	4959	211	346	593	695	43,110

For the most current version of Inverter Duty Motor dimension sheets and performance data, visit our web site at [www.reliance.com](http://www.reliance.com)

#### Footnotes:

- (1) Standard voltages available: 230, 380, 400, 415, 460, and 575 volts except 230 volts not available in certain higher HP. For any other special voltage, please see voltage in modification section. For typical full load amps, use RPM AC Motor Wizard, or contact Reliance Electric.
- (2) Other base speeds available.
- (3) Peak Torque, is the One-Minute Overload Torque available from 0 RPM to the maximum speed at which the inverter can maintain constant flux at this overload. In some cases this value may be less than base speed.
- (4) For estimating purposes only.



Typical DPG-FV L2882 Frame  
450 ft-lb Cont. Duty

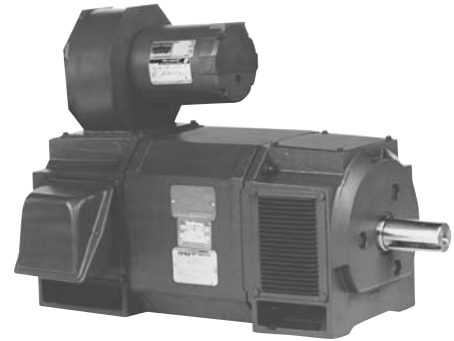
Price Symbol: RPMAC

## RPM AC Inverter Duty Motor - Pricing

**CLASS 1 DIVISION 2 GROUP D, CSA CERTIFIED  
FOR TEMPERATURE CODE T2A (280° C)<sup>(5)</sup>  
DRIP-PROOF GUARDED FORCE VENTILATED (DPG-FV)  
7.5 - 800 HP  
3-PHASE, 460V<sup>(1)</sup> - 60 Hz BLOWER FREQUENCY  
CONTINUOUS CONSTANT TORQUE TO ZERO SPEED**

### FEATURES

- Continuous Duty
- 1000:1 Constant Torque Below Base Speed
- Standard 1 Minute Overload
  - 150% Below Base Speed
  - 110% Above Base Speed
- Optimum Pole Design - 4 Or 6 Pole Designs<sup>(2)</sup>
- Class H Insulation / Class F Rise
- 40° C Ambient / 1.0 S.F.
- Three Thermostats (1 N.C. per Phase)



**125 HP @ 1750 rpm, L2882 Frame DPGFV  
1000:1 Constant Torque**

HP	Speed		Frame	FLA (3) @ 460V	List Price
	Base	CHP			
7.5	850	1700	FL1838	12	\$2,765
	650	1300	FL1844	11	2,849
10	850	1700	FL1844	14	2,820
	650	1300	RL2162	14	3,532
15	3550	3850	FL1831	21	2,895
	1750	3500	FL1838	21	2,597
	1150	2300	FL1852	21	2,872
	850	1700	RL2162	21	3,555
	650	1300	RL2168	21	4,955
	3550	3850	FL1831	27	2,895
20	1750	3500	FL1844	27	2,822
	1150	2300	RL2162	27	3,881
	850	1700	RL2168	27	4,055
	650	1300	RL2173	27	5,055
	3550	3850	FL1831	34	3,084
	1750	3500	RL2162	34	3,480
25	1150	2300	RL2168	34	4,590
	850	1700	RL2173	34	4,680
	650	1300	RL2578	34	6,430
	3550	3850	FL1838	40	3,361
	1750	3500	RL2162	39	3,620
30	1150	2300	RL2168	38	4,690
	850	1700	RL2570	40	5,580
	650	1300	RL2578	40	6,920
	3550	3850	FL1844	52	3,481
	1750	3500	RL2168	52	4,190
40	1150	2300	RL2570	51	5,730
	850	1700	RL2578	53	7,080
	650	1300	RL2586	52	7,641
	3550	3850	FL1852	65	4,680
	1750	3500	RL2168	65	4,360
50	1150	2300	RL2578	65	6,620
	850	1700	RL2586	69	7,460
	650	1300	L2890	65	11,660

HP	Speed		Frame	FLA (3) @ 460V	List Price
	Base	CHP			
60	3550	3850	RL2168	77	\$5,375
	1750	3500	RL2570	74	5,880
	1150	2300	RL2586	73	7,270
	850	1700	L2882	77	11,500
	650	1300	L2898	77	12,400
75	3550	3850	RL2570	96	6,480
	1750	3500	RL2578	96	6,345
	1150	2300	L2882	91	10,855
	850	1700	L2898	96	13,880
	650	1300	L3203	96	15,450
100	3550	3850	RL2578	124	8,490
	1750	3500	RL2586	119	7,260
	1150	2300	L2890	124	11,450
	850	1700	L3203	124	15,950
	650	1300	L3213	124	18,700
125	3550	3850	RL2578	156	10,200
	1750	3500	L2882	148	10,600
	1150	2300	L3203	151	14,980
	850	1700	L3213	156	17,640
	650	1300	L3614	156	21,140
150	3550	3850	RL2586	180	11,264
	1750	3500	L2890	180	11,750
	1150	2300	L3213	180	16,100
	850	1700	L3614	180	21,950
	650	1300	L4034	180	26,880
200	3550	3850	L2890	240	13,450
	1750	3500	L3203	237	16,100
	1150	2300	L3614	236	19,100
	850	1700	L4034	240	28,350
	650	1300	L4429*	261	41,800
250	3550	3850	L3203	300	18,675
	1750	3500	L3213	300	18,840
	1150	2300	L4034	300	23,900
	850	1700	L4046	305	31,945
	650	1300	L4440*	325	44,410

Price Symbol: RMAC

## RPM AC Inverter Duty Motor - Pricing

**CLASS 1 DIVISION 2 GROUP D, CSA CERTIFIED  
FOR TEMPERATURE CODE T2A (280° C) <sup>(5)</sup>  
DRIP-PROOF GUARDED FORCE VENTILATED (DPG-FV)  
7.5 - 800 HP  
3-PHASE, 460V<sup>(1)</sup> - 60 Hz BLOWER FREQUENCY  
CONTINUOUS CONSTANT TORQUE TO ZERO SPEED**

HP	Speed		Frame	FLA (3) @ 460V	List Price
	Base	CHP			
300	3550	3850	L3203	360	\$20,179
	1750	3500	L3614	360	21,240
	1150	2300	L4046	360	26,110
	850	1700	L4429 ✦	385	42,900
	650	1300	L4461 ✦	390	51,700
350	3550	3850	L3213	415	25,450
	1750	3500	L4034	415	24,170
	1150	2300	L4429 ✦	446	42,475
	850	1700	L4451 ✦	450	49,540
400	3550	3850	L3213	477	27,450
	1750	3500	L4034	477	25,890
	1150	2300	L4429 ✦	507	43,400
	850	1700	L4461 ✦	507	53,670

HP	Speed		Frame	FLA (3) @ 460V	List Price
	Base	CHP			
450	3550	3850	L3614	534	\$31,870
	1750	3500	L4046	534	29,440
	1150	2300	L4440 ✦	572	47,100
500	3000	3500	L4034	590	35,500
	1750	3500	L4046	557	32,800
600	1150	2300	L4451 ✦	625	49,540
	3000	3500	L4046	708	43,200
700	1750	3500	L4429 ✦	747	45,400
	1750	3500	L4451 ✦	875	53,400
800	1750	3500	L4461 ✦	975	59,550

For the most current version of Inverter Duty Motor dimension sheets, connection diagrams, design curves, etc., go to [www.reliance.com](http://www.reliance.com).

**Note: All accessories, including blower motors, must either be CSA certified for Class 1 Group D Division 2, or Division 1 Listed. See Basis of Rating for minimum inverter carrier frequency required.**

### Footnotes:

- (1) Standard voltages available: 230, 380, 400, 415, 460 & 575v. For any other special voltage, please see voltage in modification section.  
For typical full load amps for proper controller sizing, please use the RPM AC Motor Wizard Program or contact Reliance Electric.
  - (2) All RPM AC motors will be 4 Pole Designs, with the exception of L440 Frames (6 Pole Designs), regardless of the base speed.
  - (3) For estimating purposes only.
  - (4) For Class 1 Division 2 Group C T2A, a blower motor with Group C listing is required. Add as follows:  
FL180 - L320 – \$200List  
L360 - L440 – \$350 List
  - (5) Contact Reliance Electric for pricing of other T-Codes
- ✦ All L440 frames include as standard features an Insulated O.D.E. Bearing, VPI Insulation System, Oversized Conduit Box and PLS / Ball Bearing Lubrication System.

Price Symbol: RPYAC

## RPM AC Inverter Duty Motor - Pricing

**CLASS 1 DIVISION 2 GROUP D, CSA CERTIFIED  
FOR TEMPERATURE CODE T2A ( 280° C )<sup>(5)</sup>  
TOTALLY ENCLOSED BLOWER COOLED (TEBC)  
5 - 400 HP  
3-PHASE, 460V<sup>(1)</sup> - 60 Hz BLOWER FREQUENCY  
CONTINUOUS CONSTANT TORQUE TO ZERO SPEED**



**50 HP @ 1750 rpm, FL2588 Frame TEBC  
1000:1 Constant Torque**

### FEATURES

- Continuous Duty
- 1000:1 Constant Torque Below Base Speed
- Standard 1 Minute Overload
  - 200% Below Base Speed
  - 125% Above Base Speed
- Optimum Pole Design - 4 or 6 Pole Designs<sup>(2)</sup>
- Class H Insulation / Class F Rise
- 40° C Ambient / 1.0 S.F.
- Three Thermostats (1 N.C. per Phase)

HP	Speed		Frame	FLA (3) @ 460V	List Price
	Base	CHP			
5	850	1700	FL1838	8	\$2,626
	650	1300	FL1844	8	3,180
7.5	1150	2300	FL1838	11	2,873
	850	1700	FL1844	11	3,325
10	650	1300	FL2162	11	3,640
	1150	2300	FL1844	14	2,985
15	850	1700	FL2162	14	3,990
	650	1300	FL2162	14	4,210
20	3550	3850	FL1831	21	3,121
	1750	3500	FL1844	21	2,985
25	1150	2300	FL2162	21	3,195
	850	1700	FL2162	21	4,310
30	650	1300	FL2168	21	5,990
	3550	3850	FL1838	27	3,230
40	1750	3500	FL2162	27	3,240
	1150	2300	FL2162	27	3,690
50	850	1700	FL2173	27	4,440
	650	1300	FL2570	27	5,987
75	3550	3850	FL1838	34	3,910
	1750	3500	FL2162	34	3,370
100	1150	2300	FL2173	34	4,152
	850	1700	FL2570	34	5,182
150	650	1300	FL2586	34	6,380
	3550	3850	FL1844	40	4,430
200	1750	3500	FL2162	39	3,880
	1150	2300	FL2570	40	5,176
250	850	1700	FL2578	40	5,856
	650	1300	FL2586	40	6,145

HP	Speed		Frame	FLA (3) @ 460V	List Price
	Base	CHP			
30	3550	3850	FL2162	52	\$4,985
	1750	3500	FL2173	52	4,385
40	1150	2300	FL2578	52	8,980
	850	1700	L2898	52	9,945
50	650	1300	L3203	52	11,670
	3550	3850	FL2162	65	5,540
75	1750	3500	FL2570	61	5,340
	1150	2300	FL2586	65	9,540
100	850	1700	L3203	65	11,740
	650	1300	L4022	65	20,400
150	3550	3850	FL2168	77	6,480
	1750	3500	FL2578	74	8,880
200	1150	2300	L3203	77	12,880
	850	1700	L3213	77	13,920
250	650	1300	L4022	77	20,800
	3550	3850	FL2173	96	6,945
300	1750	3500	FL2586	94	9,570
	1150	2300	L3213	96	13,659
400	850	1700	L4022	96	20,460
	650	1300	L4034	96	23,150
500	3550	3850	FL2578	124	8,754
	1750	3500	L3203	123	12,110
600	1150	2300	L4022	124	20,660
	850	1700	L4034	124	22,460
750	650	1300	L4429 ♣	124	35,400
	3550	3850	L3203	156	10,980
1000	1750	3500	L3607	150	13,945
	1150	2300	L4034	156	20,485
1250	850	1700	L4046	156	26,490
	650	1300	L4440 ♣	168	38,555

Price Symbol: RMAC

## RPM AC Inverter Duty Motor - Pricing

**CLASS 1 DIVISION 2 GROUP D, CSA CERTIFIED  
FOR TEMPERATURE CODE T2A ( 280° C )<sup>(5)</sup>  
TOTALLY ENCLOSED BLOWER COOLED (TEBC)  
5 - 400 HP  
3-PHASE, 460V<sup>(1)</sup> - 60 Hz BLOWER FREQUENCY  
CONTINUOUS CONSTANT TORQUE TO ZERO SPEED**

HP	Speed		Frame	FLA (3) @ 460V	List Price
	Base	CHP			
150	3550	3850	L3213	180	\$16,110
	1750	3500	L4022	177	20,870
	1150	2300	L4046	180	24,705
	850	1700	L4429 ❖	198	36,300
	650	1300	L4451 ❖	200	45,300
200	3000	3500	L4022	240	23,600
	1750	3500	L4034	240	22,485
	1150	2300	L4429 ❖	240	39,890
	850	1700	L4451 ❖	270	44,300

HP	Speed		Frame	FLA (3) @ 460V	List Price
	Base	CHP			
250	3000	3500	L4034	300	\$24,211
	1750	3500	L4046	300	27,445
	1150	2300	L4451 ❖	325	44,905
300	3000	3500	L4046	360	28,480
	1750	3500	L4440 ❖	385	35,700
350	1750	3500	L4451 ❖	446	38,825
	1450	2900	L4461 ❖	446	47,800
400	1750	3500	L4461 ❖	536	44,810

For the most current version of Inverter Duty Motor dimension sheets, connection diagrams, design curves, etc., go to [www.reliance.com](http://www.reliance.com).

**Note: All accessories must either be CSA certified for Class 1 Group D Division 2, or Division 1 Listed.  
See Basis of Rating for minimum inverter carrier frequency required.**

**Footnotes:**

- (1) Standard voltages available: 230, 380, 400, 415, 460 & 575v. For any other special voltage, please see voltage in modification section.  
For typical full load amps for proper controller sizing, please use the RPM AC Motor Wizard Program or contact Reliance Electric.
  - (2) All RPM AC motors will be 4 Pole Designs, with the exception of L440 Frames (6 Pole Designs), regardless of the base speed.
  - (3) For estimating purposes only.
  - (4) For Class 1 Division 2 Group C T2A, a blower motor with Group C listing is required. Add as follows:  
FL180 - L320 – \$200List  
L360 - L440 – \$350 List
  - (5) Contact Reliance Electric for pricing of other T-Codes
- ❖ All L440 frames include as standard features an Insulated O.D.E. Bearing, VPI Insulation System, Oversized Conduit Box and PLS / Ball Bearing Lubrication System.

Price Symbol: RPYAC



## RPM AC Inverter Duty Motor - Pricing

**CLASS 1 DIVISION 2 GROUPS A, B, C & D, CSA CERTIFIED  
FOR TEMPERATURE CODE T2A (280° C)<sup>(3)</sup>  
TOTALLY ENCLOSED NON-VENTILATED (TENV)  
2 - 75 HP  
3-PHASE, 460V<sup>(1)</sup>  
CONTINUOUS CONSTANT TORQUE TO ZERO SPEED**

### FEATURES

- Continuous Duty
- 1000:1 Constant Torque Below Base Speed
- Standard 1 Minute Overload
  - 200% Below Base Speed
  - 125% Above Base Speed
- Optimum Pole Design - 4 Pole Designs
- Class H Insulation / Class F Rise
- 40° C Ambient / 1.0 S.F.
- Three Thermostats (1 N.C. per Phase)
- Top Mounted Conduit Box



**25 HP @ 1150 rpm, L3203 Frame TENV  
1000:1 Constant Torque**

HP	Speed		Frame	FLA (2) @ 460V	List Price
	Base	CHP			
2	1150	2300	FL1831	3	\$2,152
	850	1700	FL1838	3	2,368
	650	1300	FL1844	3	2,391
3	1150	2300	FL1831	5	2,247
	850	1700	FL1852	5	2,485
	650	1300	FL2162	5	2,870
5	3550	3850	FL1831	6.8	2,272
	1750	3500	FL1844	6.8	2,247
	1150	2300	FL2162	5	2,384
	850	1700	FL2162	8	2,970
	650	1300	FL2168	8	3,489
7.5	3550	3850	FL1844	11	2,391
	1750	3500	FL2162	11	2,446
	1150	2300	FL2162	11	3,440
	850	1700	FL2173	12	3,570
	650	1300	FL2578	12	4,540
10	3550	3850	FL2162	14	2,180
	1750	3500	FL2162	14	2,690
	1150	2300	FL2173	14	3,466
	850	1700	FL2578	14	4,262
15	650	1300	L2890	14	8,944
	3550	3850	FL2162	21	3,420
	1750	3500	FL2570	21	3,694
	1150	2300	FL2586	21	8,655
	850	1700	L2898	21	9,330
	650	1300	L3203	21	11,840

HP	Speed		Frame	FLA (2) @ 460V	List Price
	Base	CHP			
20	3550	3850	FL2173	27	\$3,720
	1750	3500	FL2578	27	8,790
	1150	2300	L2898	27	9,244
	850	1700	L3203	27	11,440
	650	1300	L3213	27	12,995
25	3550	3850	FL2570	34	5,940
	1750	3500	L2890	34	9,090
	1150	2300	L3203	34	11,240
	850	1700	L3213	34	12,975
	650	1300	L3607	34	12,995
30	3550	3850	FL2586	40	5,940
	1750	3500	L3203	40	8,951
	1150	2300	L3203	40	11,240
	850	1700	L3607	40	16,240
	650	1300	L4022	40	17,835
40	3550	3850	L3203	52	9,780
	1750	3500	L3203	52	11,240
	1150	2300	L4022	52	17,990
	850	1700	L4022	52	18,320
	650	1300	L4034	52	22,300
50	3550	3850	L3203	65	12,087
	1750	3500	L3607	65	16,330
	1150	2300	L4034	65	21,960
	850	1700	L4046	65	24,230
60	3550	3850	L3213	77	13,480
	1750	3500	L4022	77	19,530
	1150	2300	L4034	77	22,380
75	2500	3500	L4034	96	20,421
	1750	3500	L4034	96	23,450

For the most current version of Inverter Duty Motor dimension sheets, connection diagrams, design curves, etc., go to [www.reliance.com](http://www.reliance.com).

**Note: All accessories must either be CSA certified for Class 1 Group D Division 2, or Division 1 Listed.  
See Basis of Rating for minimum inverter carrier frequency required.**

### Footnotes:

- (1) Standard voltages available: 230, 380, 400, 415, 460 & 575v. For any other special voltage, please see voltage in modification section.  
For typical full load amps for proper controller sizing, please use the RPM AC Motor Wizard Program or contact Reliance Electric.
- (2) For estimating purposes only.
- (3) Contact Reliance Electric for pricing of other T-Codes

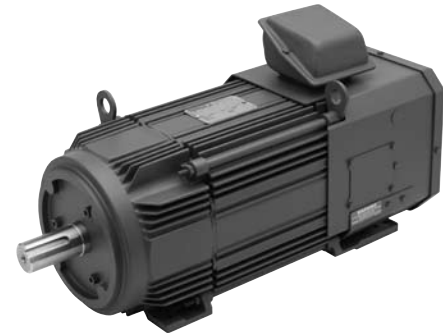
**Price Symbol: RPMAC**

## RPM AC Inverter Duty Motor - Pricing

**CLASS 1 DIVISION 2 GROUPS A, B, C & D, CSA CERTIFIED  
FOR TEMPERATURE CODE T2A (280° C) <sup>(4)</sup>  
TOTALLY ENCLOSED FAN COOLED (TEFC) - VARIABLE TORQUE<sup>(1)</sup>  
15 - 250HP  
3-PHASE, 460V<sup>(2)</sup>**

### FEATURES

- Continuous Duty
- Variable Torque - HP Varies as Cube of RPM
- Standard 1 Minute Overload
  - 200% Below Base Speed
  - 125% Above Base Speed
- Optimum Pole Design - 4 Pole Designs
- Class H Insulation / Class F Rise
- 40° C Ambient / 1.0 S.F.
- Three Thermostats (1 N.C. per Phase)
- Top Mounted Conduit Box



25 HP @ 1750 rpm, FL2168 Frame TEFC

HP	Speed		Frame	FLA (2) @ 460V	List Price
	Base	CHP			
7.5	2500	3500	See TENV page M-118 for Class 1 Group D T2A	11	2,495
	1750	3500			
	1150	2300			
	850	1700			
10	2500	3500	See TENV page M-118 for Class 1 Group D T2A	14	2,578
	1750	3500			
	1150	2300			
	850	1700			
15	2500	3500	FL1844	21	2,522
	1750	3500			
	1150	2300			
	850	1700			
20	2500	3500	FL1852	27	2,980
	1750	3500			
	1150	2300			
	850	1700			
25	2500	3500	FL2162	34	3,055
	1750	3500			
	1150	2300			
	850	1700			
30	2500	3500	FL2168	40	3,440
	1750	3500			
	1150	2300			
	850	1700			

HP	Speed		Frame	FLA (2) @ 460V	List Price
	Base	CHP			
40	2500	3500	FL2173	52	\$4,187
	1750	3500			
	1150	2300			
	850	1700			
50	2500	3500	FL2570	65	4,465
	1750	2500			
	1150	2300			
	850	1700			
60	2500	3500	FL2578	77	5,890
	1750	2500			
	1150	2300			
	850	1700			
75	2500	3500	FL2586	96	7,840
	1750	2500			
	1150	2300			
	850	1700			
100	2500	2500	L3203	124	11,700
	1750	2500			
	1150	2300			
	850	1700			
125	2500	2500	L3213	155	13,100
	1750	2500			
	1150	2300			
	850	1700			
150	2500	2500	L3698	180	14,700
	1750	2500			
	1150	2300			
	850	1700			
200	2500	2500	L3614	238	17,550
	1750	2500			
	1150	2300			
	850	1700			

For the most current version of Inverter Duty Motor dimension sheets, connection diagrams, design curves, etc., go to [www.reliance.com](http://www.reliance.com).

**Note: All accessories must either be CSA certified for Class 1 Group D Division 2, or Division 1 Listed. See Basis of Rating for minimum inverter carrier frequency required.**

#### Footnotes:

- (1) Contact marketing for constant torque speed range availability
- (2) Standard voltages available: 230, 380, 400, 415, 460 & 575v. For any other special voltage, please see voltage in modification section. For typical full load amps for proper controller sizing, please use the RPM AC Motor Wizard Program or contact Reliance Electric.
- (3) For estimating purposes only.
- (4) Contact Reliance Electric for pricing on other T-Codes and Application Data

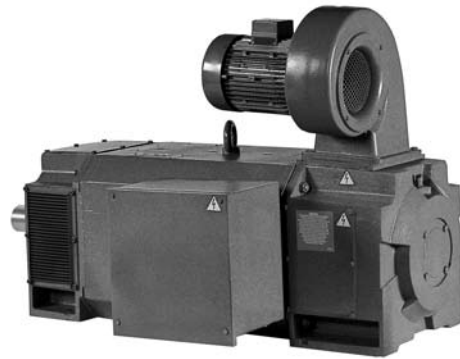
Price Symbol: RPMC

# RPM AC Inverter Duty Motor - Pricing

## IEC DRIP-PROOF GUARDED FORCE VENTILATED (DPG-FV) IP23 - IC06 5.6 - 707 KW 3-PHASE, 380V<sup>(1)</sup> 50 Hz BLOWER CONTINUOUS CONSTANT TORQUE TO ZERO SPEED

### FEATURES

- S1 Duty (Continuous)
- 1000:1 Constant Torque below Base Speed
- Standard 1 Minute Overload
  - 150% below Base Speed
  - 110% above Base Speed
- Optimum Pole Design - 4 or 6 Pole Designs<sup>(2)</sup>
- Class H Insulation
- 40° C Ambient / 1.0 S.F.
- Three Thermostats (1 N.C. per Phase)
- Side Mounted Conduit Box with Terminal Block



150 KW @ 500 rpm, DL2810 Frame DPFV

KW	Speed		Frame	FLA (3) @ 380V	List Price
	Base	C Power			
5.6	850	950	FDL1108	13	\$2,960
	650	650	FDL1110	13	3,180
	850	950	FDL1110	17	3,010
7.5	650	650	FDL1112	17	3,351
	500	650	FDL1307	17	3,990
	3550	3850	FDL1106	25	3,040
11	2950	3500	FDL1106	25	3,040
	2500	3000	FDL1106	25	3,115
	1750	3000	FDL1108	25	2,860
	1450	2300	FDL1110	25	2,905
	1150	1300	FDL1110	25	3,095
	850	1000	RDL1305	25	3,438
	650	1150	RDL1308	25	4,340
	500	700	RDL1308	25	5,061
15	3550	3850	FLD1106	33	3,175
	2950	3500	FDL1108	33	3,140
	2500	3000	FDL1108	33	3,140
	1750	2500	FDL1110	33	3,020
	1450	2200	FDL1112	33	3,183
	1150	1750	RDL1307	33	3,213
	850	1450	RDL1308	33	3,665
	650	850	RDL1308	33	4,520
500	650	RDL1609	33	5,968	
18.6	3550	3850	FDL1106	41	3,364
	2950	3500	FDL1108	41	3,364
	2500	3000	FDL1110	41	3,492
	1750	2500	FDL1112	41	3,220
	1450	1750	RDL1305	41	3,355
	1150	1300	RDL1307	41	3,760
	850	950	RDL1308	41	4,211
	650	650	RDL1609	41	5,639
500	650	RDL1613	41	7,686	
22	3550	3850	FDL1108	48	3,487
	2950	3500	FDL1110	48	3,402
	2500	3000	FDL1110	48	3,350
	1750	2200	RDL1305	48	3,382
	1450	1650	RDL1307	48	3,696
	1150	1300	RDL1308	48	4,105
22	850	950	RDL1310	48	4,657
	650	650	RDL1611	48	6,951
	500	650	RDL1613	48	7,780

KW	Speed		Frame	FLA (3) @ 380V	List Price
	Base	C Power			
30	3550	3850	FDL1110	63	\$3,590
	2950	3500	FDL1112	63	3,696
	2500	3400	RDL1307	63	3,920
	1750	3000	RDL1308	63	3,766
	1450	2100	RDL1308	63	3,840
	1150	1700	RDL1310	63	5,450
	850	1150	RDL1611	63	7,119
	650	850	RDL1613	63	7,708
37	500	650	DL1811	63	10,073
	3550	3850	FDL1112	78	4,530
	2950	3600	RDL1308	78	4,841
	2500	3800	RDL1308	78	4,841
	1750	2450	RDL1308	78	4,158
	1450	2100	RDL1609	78	5,009
	1150	1700	RDL1611	78	6,442
	850	1150	RDL1613	78	7,518
650	850	DL1811	78	10,753	
45	500	650	DL1815	78	11,639
	2950	3600	RDL1308	94	5,192
	2500	3300	RDL1308	94	4,741
	1750	2450	RDL1609	94	5,020
	1450	2200	RDL1611	94	5,676
	1150	1450	RDL1611	94	6,710
	850	1250	DL1811	94	9,497
	650	1000	DL1815	94	12,515
500	850	DL2010	94	14,188	
56	2950	3600	RDL1310	116	6,489
	2500	3000	RDL1310	116	5,717
	1750	2600	RDL1611	116	6,030
	1450	1650	RDL1611	116	6,675
	1150	1300	RDL1613	116	7,962
	850	1150	DL1813	116	12,370
75	650	1000	DL2010	116	15,883
	500	850	DL2012	116	17,247
	2950	3600	RDL1611	151	8,663
	2500	3450	RDL1611	151	7,933
	1750	2450	RDL1613	151	7,733
	1450	2100	DL1811	151	9,486
75	1150	1600	DL1813	151	11,639
	850	1500	DL2010	151	16,315
	650	1150	DL2012	151	18,952
	500	800	DL2212	151	19,364

Price Symbol: RPMAC

## RPM AC Inverter Duty Motor - Pricing

**IEC DRIP-PROOF GUARDED FORCE VENTILATED (DPG-FV)  
IP23 - IC06  
5.6 - 707 KW  
3-PHASE, 380V<sup>(1)</sup>  
50 Hz BLOWER  
CONTINUOUS CONSTANT TORQUE TO ZERO SPEED**

KW	Speed		Frame	FLA (3) @ 380V	List Price
	Base	C Power			
91	2950	2950	RDL1611	184	\$10,437
	2500	3450	RDL1613	184	10,259
	1750	2600	DL1811	184	9,898
	1450	2000	DL1813	184	11,124
	1150	1600	DL1815	184	13,143
	850	1450	DL2012	184	17,407
	650	1150	DL2212	184	21,465
	500	800	DL2510	184	25,853
110	2950	3600	RDL1613	215	11,512
	2500	3600	DL1811	215	12,030
	1750	2700	DL1813	215	11,351
	1450	2000	DL1815	215	13,297
	1150	1800	DL2010	215	15,232
	850	1500	DL2212	215	20,806
	650	1150	DL2510	215	24,710
	500	800	DL2512	215	34,258
132	2950	3600	DL1811	257	12,669
	2500	3600	DL1813	257	13,884
	1750	2600	DL1815	257	13,184
	1450	2200	DL2010	257	15,162
	1150	2000	DL2012	257	18,375
	850	1300	DL2212	257	23,906
	650	1150	DL2512	257	31,003
	500	650	DL2808 ♣	281	42,292
150	2950	3600	DL1813	292	13,946
	2500	3100	DL1813	292	16,274
	1750	2650	DL2010	292	15,635
	1450	2200	DL2012	292	16,995
	1150	2000	DL2212	292	18,644
	850	1450	DL2510	292	25,729
	650	1000	DL2512	292	34,258
	500	650	DL2810 ♣	315	47,174
186	2950	3600	DL1815	365	17,613
	2500	3600	DL2010	365	18,746
	1750	2700	DL2012	365	17,407
	1450	2400	DL2212	365	18,025
	1150	1750	DL2212	365	19,467
	850	1200	DL2512	365	31,518
	650	1000	DL2810 ♣	390	47,174
	500	700	DL2814 ♣	390	51,037

KW	Speed		Frame	FLA (3) @ 380V	List Price
	Base	C Power			
224	2950	3600	DL2010	436	\$20,475
	2500	3600	DL2012	436	19,502
	1750	2650	DL2212	436	19,364
	1450	2200	DL2212	436	23,072
	1150	1750	DL2510	436	24,833
	850	950	DL2808 ♣	465	42,292
	650	900	DL2812 ♣	465	48,657
	2950	3600	DL2012	499	26,883
260	2500	3600	DL2012	499	24,823
	1750	2650	DL2212	499	21,501
	1450	2200	DL2510	499	23,742
	1150	1750	DL2512	499	26,626
	850	1200	DL2810 ♣	538	47,174
	650	850	DL2814 ♣	538	54,178
300	2950	3600	DL2012	581	27,347
	2500	3600	DL2212	581	28,943
	1750	2650	DL2510	581	25,853
	1450	2200	DL2512	581	31,003
	1150	1450	DL2808 ♣	618	43,332
336	850	1200	DL2812 ♣	618	51,346
	2950	3600	DL2212	647	31,827
	2500	3600	DL2212	647	28,428
	1750	2650	DL2510	647	26,909
373	1450	2000	DL2512	647	33,887
	1150	1450	DL2810 ♣	688	47,174
	850	1200	DL2814 ♣	688	55,517
	2950	2950	DL2510	714	33,372
	2500	3000	DL2510	714	31,724
447	1750	2650	DL2512	714	30,488
	1450	2000	DL2808 ♣	761	44,599
	1150	1500	DL2810 ♣	761	47,947
	2950	2950	DL2512	856	46,762
522 (6)	2500	3000	DL2512	856	46,762
	1750	2650	DL2808 ♣	904	44,599
	1450	2000	DL2810 ♣	904	48,101
	1150	1500	DL2814 ♣	904	55,517
	2500	3000	DL2808 ♣	1100	44,599
600 (6)	1750	2600	DL2810 ♣	1046	49,337
	1450	2000	DL2812 ♣	1046	51,346
672 (4)(6)	2500	3000	DL2808 ♣	1193	44,599
	1750	2600	DL2812 ♣	1193	51,346
	2500	3000	DL2810 ♣	1150	49,337
707 (4)(5)(6)	1750	2000	DL2814 ♣	1095	57,783
	2500	3000	DL2810 ♣	1202	49,337
707 (4)(5)(6)	1750	2000	DL2814 ♣	1147	60,410

For the most current version of Inverter Duty Motor dimension sheets, connection diagrams, design curves, etc., go to [www.reliance.com](http://www.reliance.com).

**Footnotes:**

- (1) Standard voltages available: 230, 380, 400, 415, 460 & 575v. For any other special voltage, please see voltage in modification section.  
For typical full load amps for proper controller sizing, please use the RPM AC Motor Wizard Program or contact Reliance Electric.
- (2) All RPM AC motors are 4 Pole Designs, with the exception of L440 Frames (6 Pole Designs), regardless of the base speed.
- (3) For estimating purposes only.
- (4) Limited to 460v - 575v input.
- (5) Requires a minimum inverter carrier frequency of 4 Khz.
- (6) Foot mounted coupled duty
- ♣ Also included, are all of the typical features of the RPM AC DPFV motor in addition to an Insulated O.D.E. Bearing, VPI Insulation System, Large Mill Type Conduit Box and PLS / Ball Bearing Lubrication System.

**Price Symbol: RPMAC**

# RPM AC Inverter Duty Motor - Pricing

## IEC TOTALLY ENCLOSED BLOWER COOLED (TEBC) (IP44 - IC416)

**3.7 - 336 KW**

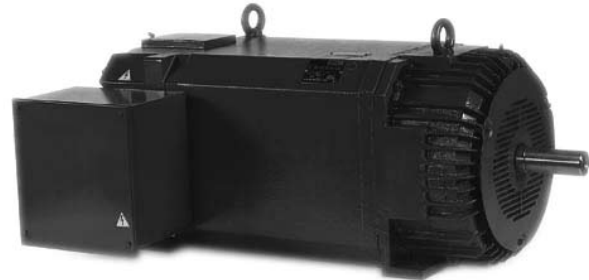
**3-PHASE, 380V<sup>(1)</sup>**

**50 Hz BLOWER**

**CONTINUOUS CONSTANT TORQUE TO ZERO SPEED**

### FEATURES

- S1 Duty (Continuous)
- 1000:1 Constant Torque below Base Speed
- Standard 1 Minute Overload  
200% below Base Speed  
125% above Base Speed
- Optimum Pole Design - 4 or 6 Pole Designs<sup>(2)</sup>
- Class H Insulation
- 40° C Ambient / 1.0 S.F.
- Three Thermostats (1 N.C. per Phase)
- Top Mounted Conduit Box with Terminal Block (FDL112 - DL250)
- Side Mounted Conduit Box with Terminal Block (DL280)



**186 KW @ 1450 rpm, DL2512 Frame IP44-IC416**

KW	Speed		Enclosure	Frame	FLA (3) @ 380V	List Price
	Base	C. Power				
3.7	1750	3500	TEBC	FDL1106	9	\$2,570
	1450	2900	TEBC	FDL1106	9	2,630
	1150	2300	TEBC	FDL1106	9	2,656
	850	1700	TEBC	FDL1108	9	2,676
	650	1300	TEBC	FDL1110	9	2,731
5.6	500	1000	TEBC	FDL1112	9	3,044
	1750	3500	TEBC	FDL1106	12	2,604
	1450	2900	TEBC	FDL1106	12	2,654
	1150	2300	TEBC	FDL1108	12	2,775
	850	1700	TEBC	FDL1110	12	2,890
7.5	650	1300	TEBC	FDL1112	13	3,176
	500	1000	TEBC	FDL1307	12	3,520
	3550	3550	TEBC	FDL1106	17	2,808
	2950	3500	TEBC	FDL1106	17	2,808
	2500	3500	TEBC	FDL1106	17	2,808
	1750	3500	TEBC	FDL1108	17	2,830
	1450	2900	TEBC	FDL1110	17	2,930
	1150	2300	TEBC	FDL1110	17	2,950
11	850	1700	TEBC	FDL1112	17	3,160
	650	1300	TEBC	FDL1307	17	3,780
	500	1000	TEBC	FDL1310	17	4,535
	3550	3550	TEBC	FDL1106	25	2,940
	2950	3500	TEBC	FDL1108	25	2,910
	2500	3500	TEBC	FDL1108	25	2,910
	1750	3500	TEBC	FDL1110	25	2,845
	1450	2900	TEBC	FDL1112	25	3,041
15	1150	2300	TEBC	FDL1307	25	3,780
	850	1700	TEBC	FDL1307	25	3,860
	650	1300	TEBC	FDL1308	25	4,310
	500	1000	TEBC	FDL1609	25	5,230
	3550	3550	TEBC	FDL1108	33	3,271
	2950	3500	TEBC	FDL1110	33	3,420
	2500	3500	TEBC	FDL1110	33	3,420
	1750	3500	TEBC	FDL1112	33	2,956
37	1450	2900	TEBC	FDL1307	33	3,492
	1150	2300	TEBC	FDL1307	33	3,880
	850	1700	TEBC	FDL1310	33	4,244
	650	1300	TEBC	FDL1609	33	6,120
	500	1000	TEBC	FDL1611	33	7,113
	3550	3550	TEBC	FDL1108	33	3,271
	2950	3500	TEBC	FDL1110	33	3,420
	2500	3500	TEBC	FDL1110	33	3,420
45	1750	3500	TEBC	FDL1112	33	2,956
	1450	2900	TEBC	FDL1307	33	3,492
	1150	2300	TEBC	FDL1307	33	3,880
	850	1700	TEBC	FDL1310	33	4,244
	650	1300	TEBC	FDL1609	33	6,120
	500	1000	TEBC	FDL1611	33	7,113
	3550	3550	TEBC	FDL1108	33	3,271
	2950	3500	TEBC	FDL1110	33	3,420

KW	Speed		Enclosure	Frame	FLA (3) @ 380V	List Price
	Base	C. Power				
18.6	3550	3550	TEBC	FDL1108	41	\$3,587
	2950	3500	TEBC	FDL1110	41	3,590
	2500	3500	TEBC	FDL1112	41	3,590
	1750	3500	TEBC	FDL1307	41	3,598
	1450	2900	TEBC	FDL1308	41	3,760
	1150	2300	TEBC	FDL1308	41	4,080
	850	1700	TEBC	FDL1609	41	5,156
	650	1300	TEBC	FDL1611	41	6,380
	500	1000	TEBC	DL1813	41	9,830
	22	3550	3550	TEBC	FDL1110	48
2950		3500	TEBC	FDL1112	48	4,169
2500		3500	TEBC	FDL1307	48	4,488
1750		3500	TEBC	FDL1307	48	3,602
1450		2900	TEBC	FDL1308	48	3,860
1150		2300	TEBC	FDL1310	48	4,262
850		1700	TEBC	FDL1611	48	5,561
650		1300	TEBC	FDL1613	48	6,120
500		1000	TEBC	DL1815	48	10,713
30		3550	3550	TEBC	FDL1307	63
	2950	3500	TEBC	FDL1307	63	4,641
	2500	3500	TEBC	FDL1307	63	3,860
	1750	3500	TEBC	FDL1310	63	4,160
	1450	2900	TEBC	FDL1609	63	4,741
	1150	2300	TEAO-P/B	FDL1310	63	4,368
	850	1700	TEBC	FDL1611	63	5,435
	650	1300	TEBC	FDL1613	63	6,120
	500	1000	TEBC	DL2010	63	11,557
	37	500	1000	TEBC	DL2012	63
3550		3550	TEBC	FDL1307	78	4,878
2950		3500	TEBC	FDL1307	78	6,132
2500		3500	TEBC	FDL1308	78	6,132
1750		3500	TEBC	FDL1609	78	4,851
1750 <sup>(6)</sup>		3500	TEAO-P/B	FDL1310	78	4,368
1450		2900	TEBC	FDL1611	78	4,940
1150		2300	TEBC	FDL1613	78	6,244
850		1700	TEBC	DL1815	78	9,930
650		1300	TEBC	DL2012	78	13,194
45	500	1000	TEBC	DL2212	78	18,600
	3550	3550	TEBC	FDL1308	94	5,840
	2950	3500	TEBC	FDL1310	94	6,552
	2500	3500	TEBC	FDL1310	94	6,552
	1750	3500	TEBC	FDL1611	94	5,759
	1450	2900	TEBC	DL1813	94	9,288
	1150	2300	TEBC	DL1815	94	9,569
	850	1700	TEBC	DL2010	94	10,630
	650	1300	TEBC	DL2508	94	18,600
	500	1000	TEBC	DL2510	94	23,290

Price Symbol: RPMAC

# RPM AC Inverter Duty Motor - Pricing

**IEC TOTALLY ENCLOSED BLOWER COOLED (TEBC) (IP44 - IC416)**  
**3.7 - 336 KW**  
**3-PHASE, 380V<sup>(1)</sup>**  
**50 Hz BLOWER**  
**CONTINUOUS CONSTANT TORQUE TO ZERO SPEED**

V-S Master Motor

RPM AC Motors  
1/3 - 5 HP

RPM AC Motors  
2 - 1,000 HP

Large AC Motors

Small, Medium & Large DC Motors

KW	Speed		Enclosure	Frame	FLA (3) @ 380V	List Price
	Base	C. Power				
56	3550	3550	TEBC	FDL1310	116	\$6,898
	2950	3500	TEBC	FDL1609	116	7,490
	2500	3500	TEBC	FDL1611	116	7,490
	1750	3500	TEBC	FDL1613	116	7,090
	1450	2900	TEBC	DL1815	116	9,960
	1150	2300	TEBC	DL2010	116	12,339
	850	1700	TEBC	DL2208	116	15,409
	650	1300	TEBC	DL2508	116	22,073
	500	1000	TEBC	DL2512	116	25,173
75	3550	3550	TEBC	FDL1611	164	7,690
	2950	3500	TEBC	FDL1613	151	7,880
	2500	3500	TEBC	DL1815	151	13,575
	1750	3500	TEBC	DL2010	151	11,860
	1450	2900	TEBC	DL2010	151	11,990
	1150	2300	TEBC	DL2212	151	18,600
	850	1700	TEBC	DL2510	151	20,785
	650	1300	TEBC	DL2512	151	25,173
	500	1000	TEAO-PB	DL2808	164	39,660
91	2950	3500	TEBC	FDL1613	184	9,086
	2500	3500	TEBC	DL2010	184	13,378
	1750	3500	TEBC	DL2012	184	12,463
	1450	2900	TEBC	DL2208	184	15,862
	1150	2300	TEBC	DL2508	184	18,370
	850	1700	TEBC	DL2510	184	21,492
	650	1300	TEAO-PB	DL2808◆	197	39,660
	500	1000	TEAO-PB	DL2812	197	44,620
	110	2950	3500	TEBC	DL2010	215
2500		3500	TEBC	DL2012	215	15,285
1750		3500	TEBC	DL2208	215	15,162
1450		2900	TEBC	DL2212	215	18,600
1150		2300	TEBC	DL2510	215	20,482
850		1700	TEBC	DL2512	215	26,667
650		1300	TEAO-PB	DL2810◆	236	40,346
500		1000	TEAO-PB	DL2814	236	50,808
500		650	TEAO-PB	DL2814◆	236	50,808

KW	Speed		Enclosure	Frame	FLA (3) @ 380V	List Price	
	Base	C. Power					
132	2950	3500	TEBC	DL2012	257	\$15,553	
	2500	3500	TEBC	DL2208	257	18,138	
	1750	3500	TEBC	DL2212	257	17,922	
	1450	2900	TEBC	DL2510	257	19,158	
	1150	2300	TEBC	DL2512	257	20,549	
	850	1700	TEAO-PB	DL2810◆	281	40,346	
	650	1300	TEAO-PB	DL2814	281	50,808	
	500	900				(5)	
	149	2950	3500	TEBC	DL2212	290	17,819
2500		3500	TEBC	DL2212	290	20,693	
1750		3500	TEBC	DL2508	290	19,426	
1450		2900	TEBC	DL2510	290	22,557	
1150		2300	TEBC	DL2512	290	24,828	
186	850	1700	TEAO-PB	DL2812◆	316	41,620	
	2950	3500	TEBC	DL2510	366	24,319	
	2500	3500	TEBC	DL2510	366	24,705	
	1750	3500	TEBC	DL2510	366	22,542	
	1450	2900	TEBC	DL2512	366	26,162	
	1150	2300	TEAO-PB	DL2810◆	391	43,878	
	850	1700	TEAO-PB	DL2814◆	391	45,616	
	223	2950	3500	TEBC	DL2510	436	25,977
		2500	3500	TEBC	DL2512	436	28,716
1750		3500	TEBC	DL2512	436	27,661	
1450		2700	TEAO-PB	DL2810◆	465	39,346	
1150		2300	TEAO-PB	DL2812◆	473	42,230	
260	1750	2700	TEAO-PB	DL2810◆	540	33,578	
	1450	2700	TEAO-PB	DL2812◆	540	42,230	
300	1750	2700	TEAO-PB	DL2812◆	618	39,094	
	1450	2700	TEAO-PB	DL2814◆	618	45,616	
336	1750	2700	TEAO-PB	DL2814◆	688	45,616	

For the most current version of Inverter Duty Motor dimension sheets, connection diagrams, design curves, etc., go to [www.reliance.com](http://www.reliance.com).

**Footnotes:**

- (1) Standard voltages available: 230, 380, 400, 415, 460 & 575v. For any other special voltage, please see voltage in modification section.  
For typical full load amps for proper controller sizing, please use the RPM AC Motor Wizard Program or contact Reliance Electric.
- (2) All RPM AC motors are 4 Pole Designs, with the exception of L440 Frames (6 Pole Designs), regardless of the base speed.
- (3) For estimating purposes only.
- (4) Requires a minimum inverter carrier frequency of 4 Khz.
- (5) Contact Reliance Electric for price and availability.
- (6) These ratings in FDL1310 frames require TEAO Piggyback oversized blower (3/4 HP). Contact Reliance Electric for dimensions.
- ◆ Includes Insulated O.D.E. Bearing, VPI Insulation System, Large Mill Type Conduit Box and PLS / Ball Bearing Lubrication System.

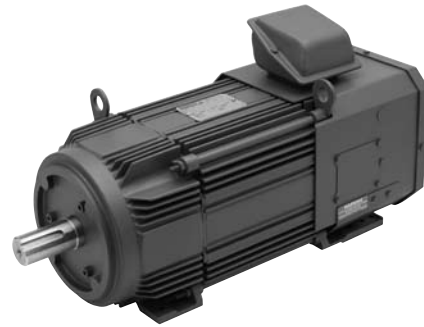
**Price Symbol: RPMAC**

## RPM AC Inverter Duty Motor - Pricing

**IEC TOTALLY ENCLOSED FAN COOLED (TEFC)  
1000:1 CONSTANT TORQUE BELOW BASE SPEED  
IP44 - IC411  
5.6 - 150KW  
3-PHASE, 380V<sup>(1)</sup>  
CONTINUOUS CONSTANT TORQUE TO ZERO SPEED**

### FEATURES

- S1 Duty (Continuous)
- 1000:1 Constant Torque below Base Speed
- Standard 1 Minute Overload
  - 200% below Base Speed
  - 125% above Base Speed
- Optimum Pole Design - 4 Pole Designs
- Class H Insulation
- 40° C Ambient / 1.0 S.F.
- Three Thermostats (1 N.C. per Phase)
- Top Mounted Conduit Box with Terminal Block



11 KW @ 1450 rpm, FDL1307 Frame IP44 - IC411

KW	Speed		Frame	FLA	List Price
	BASE	C. Power			
5.6	3550	3550	FDL1106	13	\$2,685
	2500	3500	FDL1108	13	2,670
	1750	3500	FDL1108	13	2,763
	1450	2900	FDL1110	13	2,810
	1150	2300	FDL1112	13	2,966
	850	1700	FDL1307	13	3,275
	650	1300	FDL1310	13	3,427
	500	1000	FDL1611	13	4,386
7.5	3550	3550	FDL1108	17	2,734
	2500	3500	FDL1110	17	2,855
	1750	3500	FDL1110	17	2,810
	1450	2900	FDL1307	17	3,275
	1150	2300	FDL1307	17	3,340
	850	1700	FDL1307	17	3,375
	650	1300	FDL1611	17	4,386
	500	1000	FDL1613	17	4,622
11	3550	3550	FDL1110	26	2,913
	2500	3500	FDL1112	26	3,087
	1750	3500	FDL1307	26	3,275
	1450	2900	FDL1307	26	3,275
	1150	2300	FDL1308	26	3,425
	850	1700	FDL1611	26	4,386
	650	1300	FDL1613	26	4,622

KW	Speed		Frame	FLA	List Price
	BASE	C. Power			
15	3550	3550	FDL1112	33	\$3,120
	2500	3500	FDL1307	33	3,275
	1750	3500	FDL1307	33	3,275
	1450	2900	FDL1310	33	3,568
	1150	2300	FDL1611	33	4,386
	850	1700	FDL1613	33	4,622
18.6	3550	3550	FDL1307	42	3,510
	2500	3500	FDL1307	42	3,344
	1750	3500	FDL1310	42	3,568
	1450	2900	FDL1611	42	4,386
	850	1700	DL1815	42	9,130
22	3550	3550	FDL1308	49	3,720
	2500	3500	FDL1308	49	3,720
	1750	3500	FDL1609	49	4,180
	1450	2900	FDL1613	49	4,622
	1150	2300	DL1815	49	9,130
30	850	1700	DL2010	49	11,100
	3550	3550	FDL1310	63	3,890
	2500	3500	FDL1609	63	4,180
	1750	3500	FDL1613	63	4,622
	1450	2900	DL1815	63	9,130
37	1150	2300	DL2010	63	11,100
	850	1700	DL2012	63	12,020
	3550	3550	FDL1609	79	4,622
	2500	3500	FDL1611	79	4,744
	1750	3500	DL1815	79	9,130
	1450	2900	DL2010	79	11,100
37	1150	2300	DL2010	79	11,100
	850	1700	DL2012	79	12,020

Price Symbol: RMAC

## RPM AC Inverter Duty Motor - Pricing

**IEC TOTALLY ENCLOSED FAN COOLED (TEFC)  
 1000:1 CONSTANT TORQUE BELOW BASE SPEED  
 IP44 - IC411  
 5.6 - 150KW  
 3-PHASE, 380V<sup>(1)</sup>  
 CONTINUOUS CONSTANT TORQUE TO ZERO SPEED**

KW	Speed		Frame	FLA	List Price
	BASE	C. Power			
45	3550	3550	FDL1611	93	\$6,475
	2500	3500	FDL1613	93	6,280
	1750	3500	DL2010	93	11,100
	1450	2900	DL2010	93	11,100
	1150	2300	DL2012	93	12,020
	850	1700	DL2210	93	17,090
56	3550	3550	FDL1613	116	7,219
	2500	3500	DL2010	116	11,300
	1750	3500	DL2010	116	11,700
	1450	2900	DL2012	116	12,500
	1150	2300	DL2210	116	16,300
	850	1700	DL2212	116	18,400
75	2500	3500	DL2010	150	12,050
	1750	3500	DL2012	150	13,000
	1450	2900	DL2210	150	16,300
	1150	2300	DL2212	150	18,300
	850	1700	DL2510	150	20,500

KW	Speed		Frame	FLA	List Price
	BASE	C. Power			
93	2500	3500	DL2012	189	\$13,400
	1750	3500	DL2210	189	15,100
	1450	2900	DL2212	189	17,000
	1150	2300	DL2510	189	20,200
110	2500	3500	DL2210	218	15,100
	1750	3500	DL2212	218	16,200
	1450	2900	DL2510	218	18,900
150	2500	2500	DL2212	291	18,070
	1750	2500	DL2510	291	20,200

For the most current version of Inverter Duty Motor dimension sheets, connection diagrams, design curves, etc., go to [www.reliance.com](http://www.reliance.com).

**Footnotes:**

(1) Standard voltages available: 230, 380, 400, 415, 460 & 575v. For any other special voltage, please see voltage in modification section.

For typical full load amps for proper controller sizing, please use the RPM AC Motor Wizard Program or contact Reliance Electric.

(2) For estimating purposes only.

Price Symbol: RPYAC

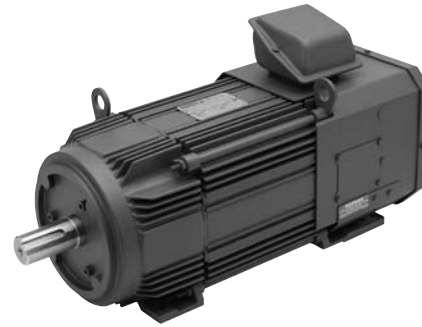


## RPM AC Inverter Duty Motor - Pricing

### IEC TOTALLY ENCLOSED FAN COOLED (TEFC) 4:1 CONSTANT TORQUE BELOW BASE SPEED IP44 - IC411 11 - 186KW 3-PHASE, 380V<sup>(1)</sup>

#### FEATURES

- S1 Duty (Continuous)
- 4:1 Constant Torque below Base Speed
- Standard 1 Minute Overload
  - 200% below Base Speed
  - 125% above Base Speed
- Optimum Pole Design - 4 Pole Designs
- Class H Insulation
- 40° C Ambient / 1.0 S.F.
- Three Thermostats (1 N.C. per Phase)
- Top Mounted Conduit Box with Terminal Block



18.6 KW @ 1450 RPM, FDL1310 FRAME IP44 - IC411

KW	Speed		Frame	FLA	List Price
	BASE	C. Power			
5.6	3550	3550	FDL1106	13	\$2,685
	2500	3500	FDL1106	13	2,885
	1750	3500	FDL1108	13	2,763
	1450	2900	FDL1110	13	2,810
	1150	2300	FDL1112	13	2,966
	850	1700	FDL1307	13	3,175
	650	1300	FDL1310	13	3,427
	500	1000	FDL1611	13	4,386
7.5	3550	3550	FDL1106	17	2,734
	2500	3500	FDL1108	17	2,763
	1750	3500	FDL1110	17	2,810
	1450	2900	FDL1112	17	2,966
	1150	2300	FDL1307	17	3,340
	850	1700	FDL1307	17	3,375
	650	1300	FDL1611	17	4,386
	500	1000	FDL1613	17	4,622
11	3550	3550	FDL1108	26	2,855
	2500	3500	FDL1110	26	2,890
	1750	3500	FDL1307	26	3,275
	1450	2900	FDL1307	26	3,275
	1150	2300	FDL1308	26	3,425
	850	1700	FDL1611	26	3,855
	650	1300	FDL1613	26	4,622

KW	Speed		Frame	FLA	List Price
	BASE	C. Power			
15	3550	3550	FDL1110	33	\$3,120
	2500	3500	FDL1112	33	3,141
	1750	3500	FDL1307	33	3,275
	1450	2900	FDL1307	33	3,260
	1150	2300	FDL1310	33	3,685
	850	1700	FDL1613	33	4,622
18.6	3550	3550	FDL1112	42	3,265
	2500	3500	FDL1307	42	3,344
	1750	3500	FDL1308	42	3,425
	1450	2900	FDL1310	42	3,685
	1150	2300	FDL1611	42	4,140
22	850	1700	DL1813	42	8,370
	3550	3550	FDL1307	49	3,510
	2500	3500	FDL1308	49	3,568
	1750	3500	FDL1310	49	3,685
	1450	2900	FDL1611	49	4,140
	1150	2300	FDL1613	49	4,622
30	850	1700	DL1815	49	9,130
	3550	3550	FDL1308	63	3,720
	2500	3500	FDL1310	63	3,849
	1750	3500	FDL1611	63	4,140
	1450	2900	FDL1613	63	4,622
	1150	2300	DL1811	63	8,110
	850	1700	DL1815	63	9,130

Price Symbol: RMAC

## RPM AC Inverter Duty Motor - Pricing

**IEC TOTALLY ENCLOSED FAN COOLED (TEFC)  
4:1 CONSTANT TORQUE BELOW BASE SPEED  
IP44 - IC411  
11 - 186KW  
3-PHASE, 380V<sup>(1)</sup>**

V-Series Master Motor

RPM AC Motors  
1/3 - 5 HP

RPM AC Motors  
2 - 1,000 HP

Large AC Motors

Small, Medium & Large DC Motors

KW	Speed		Frame	FLA	List Price
	BASE	C. Power			
37	3550	3550	FDL1310	79	\$,4595
	2500	3500	FDL1609	79	4,805
	1750	3500	FDL1613	79	4,622
	1450	2900	DL1811	79	8,550
	1150	2300	DL1815	79	9,130
	850	1700	DL2010	79	11,120
45	3550	3550	FDL1609	93	5,974
	2500	3500	FDL1611	93	6,240
	1750	3500	DL1811	93	8,930
	1450	2900	DL1815	93	9,350
	1150	2300	DL2010	93	11,990
	850	1700	DL2012	93	13,200
56	3550	3550	FDL1611	116	6,710
	2500	3500	FDL1613	116	8,034
	1750	3500	DL1815	116	8,990
	1450	2900	DL2010	116	11,600
	1150	2300	DL2208	116	15,200
	850	1700	DL2212	116	18,400

KW	Speed		Frame	FLA	List Price
	BASE	C. Power			
75	3550	3550	FDL1613	150	\$8,660
	2500	3500	DL1815	150	9,180
	1750	3500	DL2010	150	11,700
	1450	2900	DL2012	150	13,800
	1150	2300	DL2212	150	18,400
	850	1700	DL2510	150	20,500
93	3550	3550	FDL1613	189	9,630
	2500	3500	DL2010	189	11,880
	1750	3500	DL2012	189	13,000
	1450	2900	DL2508	189	16,900
	1150	2300	DL2510	189	20,200
	850	1700	DL2512	189	25,600
110	2500	3500	DL2010	218	12,890
	1750	3500	DL2212	218	16,200
	1450	2900	DL2510	218	20,800
	1150	2300	DL2512	218	25,400
150	1750	2500	DL2510	291	20,080
	1450	2500	DL2512	291	22,180
186	1750	2500	DL2512	366	25,400

For the most current version of Inverter Duty Motor dimension sheets and performance data, visit our web site at [www.reliance.com](http://www.reliance.com)

**Footnotes:**

- (1) Standard voltages available: 230, 380, 400, 415, 460 & 575v. For any other special voltage, please see voltage in modification section.  
For typical full load amps for proper controller sizing, please use the RPM AC Motor Wizard Program or contact Reliance Electric.
- (2) For estimating purposes only.

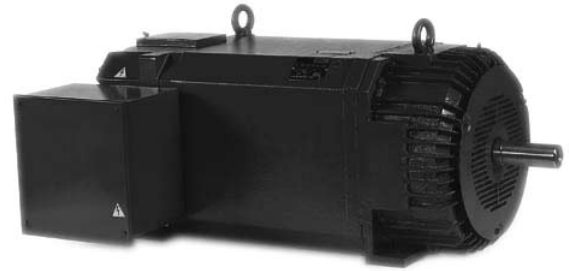
Price Symbol: RPYAC

## RPM AC Inverter Duty Motor - Pricing

### IEC TOTALLY ENCLOSED NON-VENTILATED (TENV) S1 DUTY {CONTINUOUS} IP44 - IC410 1.5 - 75 KW 3-PHASE, 380V<sup>(1)</sup>

#### FEATURES

- 1000:1 Constant Torque below Base Speed
- Standard 1 Minute Overload
  - 200% below Base Speed
  - 125% above Base Speed
- Optimum Pole Design - 4 Pole Designs
- Class H Insulation
- 40° C Ambient / 1.0 S.F.
- Three Thermostats (1 N.C. per Phase)
- Top Mounted Conduit Box with Terminal Block



56 KW 1450 RPM DL2510 Frame S1 Duty IP44 - IC410

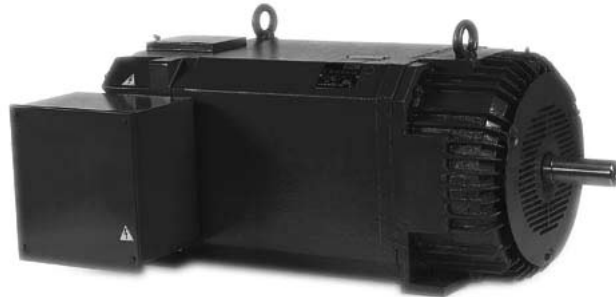
KW	SPEED		FRAME	FLA	LIST PRICE
	BASE	C. POWER			
1.5	1450	2900	FDL1106	4	\$2,275
	1150	2300	FDL1106	4	2,275
	850	1700	FDL1108	4	2,430
	650	1300	FDL1108	4	2,430
	500	1000	FDL1112	4	2,665
2.2	3550	3850	FDL1106	6	2,290
	2950	3500	FDL1106	6	2,290
	2500	3500	FDL1106	6	2,290
	1750	3500	FDL1106	6	2,290
	1450	2900	FDL1106	6	2,310
	1150	2300	FDL1106	6	2,327
	850	1700	FDL1108	6	2,430
3.7	650	1300	FDL1112	6	2,665
	500	1000	FDL1308	6	3,160
	3550	3850	FDL1106	9	2,355
	2950	3500	FDL1106	9	2,355
	2500	3500	FDL1106	9	2,355
	1750	3500	FDL1108	9	2,430
	1450	2900	FDL1110	9	2,510
	1150	2300	FDL1112	9	2,525
	850	1700	FDL1307	9	3,150
5.6	650	1300	FDL1308	9	3,260
	500	1000	FDL1310	9	3,669
	3550	3850	FDL1108	13	2,471
	2950	3500	FDL1110	13	2,534
	2500	3500	FDL1110	13	2,534
	1750	3500	FDL1112	13	2,592
	1450	2900	FDL1307	13	3,134
	1150	2300	FDL1307	13	3,150
	850	1700	FDL1308	13	3,485
	650	1300	FDL1310	13	3,703
500	1000	FDL1611	13	4,230	

KW	SPEED		FRAME	FLA	LIST PRICE
	BASE	C. POWER			
7.5	3550	3850	FDL1110	17	\$2,638
	2950	3500	FDL1112	17	2,734
	2500	3500	FDL1112	17	2,743
	1750	3500	FDL1307	17	2,860
	1450	2900	FDL1307	17	3,245
	1150	2300	FDL1308	17	3,310
	850	1700	FDL1609	17	4,080
11	650	1300	FDL1611	17	4,540
	500	1000	DL1813	17	9,244
	3550	3850	FDL1307	25	3,370
	2950	3500	FDL1307	25	3,370
	2500	3500	FDL1307	25	3,370
	1750	3500	FDL1310	25	3,160
	1450	2900	FDL1609	25	3,593
	1150	2300	FDL1611	25	3,872
15	850	1700	FDL1613	25	4,860
	650	1300	DL1815	25	9,411
	500	1000	DL2010	25	12,148
	3550	3850	FDL1308	33	3,677
	2950	3500	FDL1310	33	3,580
	2500	3500	FDL1310	33	3,860
	1750	3500	FDL1609	33	3,690
	1450	2900	FDL1611	33	4,072
	1150	2300	FDL1613	33	5,145
18.6	850	1700	DL1815	33	9,411
	650	1300	DL2010	33	12,148
	500	1000	DL2012	33	13,364
	3550	3850	FDL1310	41	4,024
	2950	3500	FDL1609	41	4,340
	2500	3500	FDL1609	41	4,340
	1750	3500	FDL1611	41	4,325
	1450	2900	FDL1613	41	4,983
	1150	2300	DL1815	41	9,418
	850	1700	DL2010	41	12,148
650	1300	DL2012	41	13,385	
500	1000	DL2212	41	17,752	

Price Symbol: RMAC

## RPM AC Inverter Duty Motor - Pricing

**IEC TOTALLY ENCLOSED NON-VENTILATED (TENV)  
S1 DUTY {CONTINUOUS}  
IP44 - IC410  
1.5 - 75 KW  
3-PHASE, 380V<sup>(1)</sup>**



**75 KW @ 1750 RPM, DL 2512 Frame TENV  
IP44 - IC410**

KW	SPEED		FRAME	FLA	LIST PRICE
	BASE	C. POWER			
22	3550	3850	FDL1609	48	\$5,958
	2950	3500	FDL1611	48	6,205
	2500	3500	FDL1611	48	6,205
	1750	3500	DL1815	48	9,220
	1450	2900	DL1815	48	9,569
	1150	2300	DL2010	48	11,577
	850	1700	DL2012	48	13,364
	650	1300	DL2210	48	17,752
	500	1000	DL2212	48	19,542
30	3550	3850	FDL1613	63	6,240
	2950	3500	DL1815	63	11,124
	2500	3500	DL2010	63	11,825
	1750	3500	DL2010	63	11,577
	1450	2900	DL2010	63	11,886
	1150	2300	DL2012	63	13,364
	850	1700	DL2210	63	17,613
	650	1300	DL2212	63	18,370
	500	1000	DL2512	63	22,660
37	3550	3850	DL1815	78	11,124
	2950	3500	DL2010	78	12,280
	2500	3500	DL2010	78	12,000
	1750	3500	DL2010	78	11,706
	1450	2900	DL2012	78	14,554
	1150	2300	DL2210	78	17,891
	850	1700	DL2212	78	19,542
	650	1300	DL2510	78	22,971

KW	SPEED		FRAME	FLA	LIST PRICE
	BASE	C. POWER			
45	3550	3850	DL2010	94	\$12,566
	2950	3500	DL2010	94	12,566
	2500	3500	DL2012	94	13,847
	1750	3500	DL2208	94	17,419
	1450	2900	DL2212	94	17,757
	1150	2300	DL2212	94	19,544
	850	1700	DL2512	94	22,042
56	3550	3850	DL2208	116	16,432
	2950	3500	DL2208	116	15,574
	2500	3500	DL2208	116	18,855
	1750	3500	DL2212	116	19,544
	1450	2900	DL2510	116	21,074
75	1150	2300	DL2512	116	23,917
	2950	3500	DL2212	151	19,467
	2500	3500	DL2212	151	21,034
	1750	3500	DL2512	151	24,019

For the most current version of Inverter Duty Motor dimension sheets and performance data, visit our web site at [www.reliance.com](http://www.reliance.com).

**Footnotes:**

- (1) Standard voltages available: 230, 380, 400, 415, 460 & 575v. For any other special voltage, please see voltage in modification section.  
For typical full load amps for proper controller sizing, please use the RPM AC Motor Wizard Program or contact Reliance Electric.
- (2) For estimating purposes only.

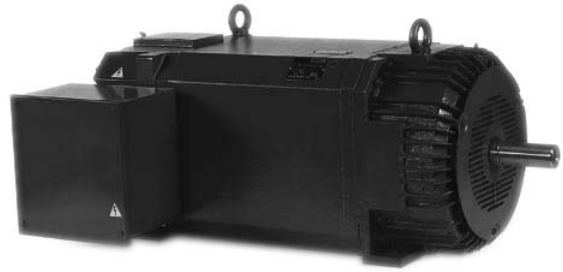
Price Symbol: R<sup>P</sup>M<sup>A</sup>C

## RPM AC Inverter Duty Motor - Pricing

### IEC TOTALLY ENCLOSED NON-VENTILATED (TENV) S2 - 60 DUTY (60 MINUTE) IP44 - IC410 1.5 - 336KW 3-PHASE, 380V<sup>(1)</sup>

#### FEATURES

- 1000:1 Constant Torque below Base Speed
- Standard 1 Minute Overload
  - 200% below Base Speed
  - 125% above Base Speed
- Optimum Pole Design - 4 Pole Designs
- Class H Insulation
- 40° C Ambient / 1.0 S.F.
- Three Thermostats (1 N.C. per Phase)
- Top Mounted Conduit Box with Terminal Block



223 KW 1750 RPM DL2512 Frame  
S2 - 60 Minutes  
IP44 - IC410

KW	SPEED		FRAME	FLA	LIST PRICE	
	BASE	C. POWER				
1.5	1450	2900	FDL1106	4	\$2,275	
	1150	2300	FDL1106	4	2,275	
	850	1700	FDL1106	4	2,283	
	650	1300	FDL1106	4	2,448	
	500	1000	FDL1110	4	2,525	
	2.2	3550	3850	FDL1106	6	2,327
2950		3500	FDL1106	6	2,327	
2500		3500	FDL1106	6	2,327	
1750		3500	FDL1106	6	2,327	
1450		2900	FDL1106	6	2,327	
1150		2300	FDL1106	6	2,327	
850		1700	FDL1108	6	2,426	
650		1300	FDL1110	6	2,510	
3.7	500	1000	FDL1112	6	2,743	
	3550	3850	FDL1106	9	2,355	
	2950	3500	FDL1106	9	2,355	
	2500	3500	FDL1106	9	2,355	
	1750	3500	FDL1106	9	2,426	
	1450	2900	FDL1108	9	2,510	
	1150	2300	FDL1108	9	2,510	
	850	1700	FDL1110	9	2,524	
	650	1300	FDL1112	9	2,856	
	500	1000	FDL1307	9	3,156	
	5.6	3550	3850	FDL1106	13	2,390
		2950	3500	FDL1106	13	2,390
2500		3500	FDL1106	13	2,470	
1750		3500	FDL1108	13	2,525	
1450		2900	FDL1110	13	2,657	
1150		2300	FDL1110	13	2,690	
850		1700	FDL1112	13	2,856	
650		1300	FDL1307	13	3,260	
500		1000	FDL1310	13	3,675	
7.5		3550	3850	FDL1106	17	2,520
	2950	3500	FDL1108	17	2,535	
	2500	3500	FDL1108	17	2,590	
	1750	3500	FDL1110	17	2,613	
	1450	2900	FDL1112	17	2,745	
	1150	2300	FDL1112	17	2,778	
	850	1700	FDL1307	17	3,413	
	650	1300	FDL1310	17	3,763	
	500	1000	FDL1609	17	4,316	

KW	SPEED		FRAME	FLA	LIST PRICE
	BASE	C. POWER			
11	3550	3850	FDL1108	25	\$2,840
	2950	3500	FDL1110	25	3,050
	2500	3500	FDL1110	25	3,050
	1750	3500	FDL1112	25	2,785
	1450	2900	FDL1307	25	3,066
	1150	2300	FDL1308	25	3,290
	850	1700	FDL1310	25	3,585
	650	1300	FDL1611	25	4,225
15	500	1000	FDL1613	25	4,572
	3550	3850	FDL1110	33	3,090
	2950	3500	FDL1112	33	3,240
	2500	3500	FDL1112	33	3,240
	1750	3500	FDL1307	33	3,140
	1450	2900	FDL1308	33	3,272
	1150	2300	FDL1310	33	3,398
	850	1700	FDL1611	33	4,080
	650	1300	FDL1613	33	4,890
	500	1000	DL1811	33	9,316
18.6	3550	3850	FDL1112	41	3,170
	2950	3500	FDL1307	41	3,735
	2500	3500	FDL1307	41	3,735
	1750	3500	FDL1308	41	3,346
	1450	2900	FDL1310	41	3,645
	1150	2300	FDL1611	41	4,205
	850	1700	FDL1611	41	4,325
	650	1300	DL1811	41	9,316
22	500	1000	DL1815	41	9,511
	3550	3850	FDL1307	48	3,630
	2950	3500	FDL1308	48	3,843
	2500	3500	FDL1308	48	3,854
	1750	3500	FDL1310	48	3,717
	1450	2900	FDL1611	48	4,125
	1150	2300	FDL1611	48	4,125
	850	1700	FDL1613	48	5,290
	650	1300	DL1815	48	9,604
	500	1000	DL2010	48	11,700

Price Symbol: RMAC

## RPM AC Inverter Duty Motor - Pricing

**IEC TOTALLY ENCLOSED NON-VENTILATED (TENV)  
S2 - 60 DUTY (60 MINUTE)  
IP44 - IC410  
1.5 - 336KW  
3-PHASE, 380V<sup>(1)</sup>**

KW	SPEED		FRAME	FLA	LIST PRICE
	BASE	C. POWER			
30	3550	3850	FDL1308	63	\$3,961
	2950	3500	FDL1310	63	4,420
	2500	3500	FDL1310	63	4,420
	1750	3500	FDL1611	63	4,210
	1450	2900	FDL1611	63	4,210
	1150	2300	FDL1613	63	5,394
	850	1700	DL1815	63	9,370
	650	1300	DL1815	63	9,820
	500	1000	DL2010	63	11,780
	37	3550	3850	FDL1310	78
2950		3500	FDL1611	78	4,855
2500		3500	FDL1611	78	4,855
1750		3500	FDL1611	78	4,490
1450		2900	FDL1613	78	4,628
1150		2300	DL1811	78	9,228
850		1700	DL1815	78	9,707
650		1300	DL2010	78	10,660
500		1000	DL2012	78	11,690
45		3550	3850	FDL1611	94
	2950	3500	FDL1613	94	5,933
	2500	3500	FDL1613	94	5,933
	1750	3500	FDL1613	94	5,422
	1450	2900	DL1811	94	9,138
	1150	2300	DL1813	94	9,350
	850	1700	DL1815	94	9,710
	650	1300	DL2010	94	11,110
	500	1000	DL2012	94	13,435
	56	3550	3850	DL1811	116
2950		3500	DL1811	116	9,320
2500		3500	DL1811	116	9,320
1750		3500	DL1811	116	9,180
1450		2900	DL1815	116	9,705
1150		2300	DL1815	116	9,705
850		1700	DL2010	116	11,110
650		1300	DL2012	116	13,435
500		1000	DL2212	116	18,518
75		3550	3850	DL1815	151
	2950	3500	DL1815	151	9,770
	2500	3500	DL1815	151	9,770
	1750	3500	DL1815	151	9,770
	1450	2900	DL2010	151	12,215
	1150	2300	DL2010	151	12,560
	850	1700	DL2012	151	13,700
	650	1300	DL2212	151	18,518
	500	1000	DL2510	151	22,900

KW	SPEED		FRAME	FLA	LIST PRICE	
	BASE	C. POWER				
91	3550	3850	DL1815	188	\$11,588	
	2950	3500	DL1815	188	11,706	
	2500	3500	DL1815	188	11,706	
	1750	3500	DL2010	188	12,215	
	1450	2900	DL2010	188	12,215	
	1150	2300	DL2012	188	12,684	
	850	1700	DL2212	188	18,518	
	650	1300	DL2510	188	20,455	
	500	1000	DL2812	188	39,535	
	110	3550	3850	DL2010	218	13,566
2950		3500	DL2010	218	13,236	
2500		3500	DL2010	218	12,566	
1750		3500	DL2010	218	12,566	
1450		2900	DL2208	218	17,544	
1150		2300	DL2210	218	18,518	
850		1700	DL2512	218	24,677	
650		1300	DL2810	236	39,901	
500		1000	DL2814	236	45,190	
149		3550	3850	DL2012	290	14,004
	2950	3500	DL2210	290	18,518	
	2500	3500	DL2210	290	18,518	
	1750	3500	DL2210	290	18,518	
	1450	2900	DL2212	290	18,952	
	1150	2300	DL2512	290	24,677	
	850	1700	DL2810	316	39,901	
	650	1300	DL2814	316	42,940	
	186	3550	3850	DL2210	366	19,850
		2950	3500	DL2210	366	19,850
2500		3500	DL2210	375	19,850	
1750		3500	DL2212	385	19,540	
1450		2900	DL2512	366	24,180	
1150		2300	DL2808	391	39,400	
850		1700	DL2814	391	42,940	
223		3550	3850	DL2212	472	22,650
		2950	3500	DL2212	472	23,425
		2500	3500	DL2212	472	23,425
	1750	3500	DL2512	436	24,190	
	1450	2900	DL2808	473	39,400	
	1150	2300	DL2812	473	39,070	
	260	1750	2700	DL2810	540	32,890
		1450	2700	DL2812	540	39,070
		1150	2300	DL2814	540	42,940
	300	1750	2700	DL2812	618	39,360
1450		2700	DL2814	618	42,940	
336	1750	2700	DL2814	688	42,940	
373	1750	2700	DL2814	765	42,940	

For the most current version of Inverter Duty Motor dimension sheets and performance data, visit our web site at [www.reliance.com](http://www.reliance.com).

**Footnotes:**

- (1) Standard voltages available: 230, 380, 400, 415, 460 & 575v. For any other special voltage, please see voltage in modification section.  
For typical full load amps for proper controller sizing, please use the RPM AC Motor Wizard Program or contact Reliance Electric.
- (2) For estimating purposes only.

Price Symbol: RPYAC

## RPM AC Inverter Duty Motor - Pricing

**WIDE CONSTANT POWER RANGE**  
**1000:1 CONSTANT TORQUE**  
**FOR CENTER WINDERS, PAYOFF AND TENSION REELS**  
**IEC DRIP-PROOF GUARDED FORCE VENTILATED (DPFV)**  
**3.7 - 336KW (IP23 - IC06)**  
**3-PHASE, 380V<sup>(2)</sup>**

### FEATURES

- Continuous Duty
- 1000:1 Constant Torque below Base Speed
- Standard 1 Minute Overload
  - 150% below Base Speed
  - 125% above Base Speed
- Optimum Pole Designs - 4 or 6 Pole Designs<sup>(3)</sup>
- Class H Insulation
- 40° C Ambient / 1.0 SF.
- 50 Hz Blower Motor
- Three Thermostats (1 N.C. per Phase)



**75 KW @ 500/2000 rpm, DL2212 Frame DPFV**

KW	Speed		Frame	FLA (4) @ 380V	List Price
	Base	C.Power			
3.7	1150	3450	FDL1108	11	\$2,826
	850	2550	FDL1108	10	2,820
	850	3400	FDL1108	11	2,820
	650	1950	FDL1108	11	2,820
	650	2600	FDL1108	12	2,820
	500	2000	FDL1110	15	2,938
5.6	1150	3450	FDL1108	17	2,985
	850	2550	FDL1108	17	2,985
	850	3400	FDL1108	19	2,985
	650	1950	FDL1110	17	3,180
	650	2600	FDL1110	19	3,180
	500	2000	FDL1112	19	3,549
7.5	1150	3450	FDL1110	22	3,033
	850	2550	FDL1110	22	3,180
	850	3400	FDL1110	25	3,180
	650	1950	FDL1112	22	3,549
	650	2600	FDL1112	25	3,549
	500	2000	RDL1307	31	4,001
11	1150	3450	FDL1112	38	3,110
	850	2550	FDL1112	38	3,439
	850	3400	FDL1112	44	3,439
	650	1950	RDL1307	34	4,340
	650	2600	RDL1307	40	4,340
	500	2000	RDL1310	45	5,061
15	1150	3450	FDL1112	50	3,548
	850	2550	RDL1307	45	3,654
	850	3400	RDL1307	51	3,654
	650	1950	RDL1308	51	4,888
	650	2600	RDL1308	58	4,888
	500	2000	RDL1609	61	5,968

KW	Speed		Frame	FLA (4) @ 380V	List Price
	Base	C.Power			
18.6	1150	3450	RDL1308	56	\$4,340
	850	2550	RDL1310	63	4,211
	850	3400	RDL1310	73	4,211
	650	1950	RDL1609	65	5,639
	650	2600	RDL1609	75	5,639
	500	2000	RDL1613	70	7,686
22	1150	3450	RDL1308	70	4,340
	850	2550	RDL1310	73	4,657
	850	3400	RDL1310	84	4,657
	650	1950	RDL1611	68	6,951
	650	2600	RDL1611	79	6,951
	500	2000	RDL1613	81	8,043
30	1150	3450	RDL1611	81	6,442
	850	2550	RDL1611	90	7,119
	850	3400	RDL1611	104	7,119
	650	1950	RDL1613	92	7,708
	650	2600	RDL1613	107	7,708
	500	2000	DL1811	117	10,073
37	1150	3450	RDL1611	111	6,442
	850	2550	RDL1613	113	7,518
	850	3400	RDL1613	130	7,518
	650	1950	DL1811	125	10,753
	650	2600	DL1811	144	10,753
	500	2000	DL1815	139	11,639
45	1150	3450	RDL1613	131	7,518
	850	2550	DL1811	142	11,536
	850	3400	DL1811	163	11,536
	650	1950	DL1815	137	12,515
	650	2600	DL1815	159	12,515
	500	2000	DL2010	150	14,188

Price Symbol: RMAC

## RPM AC Inverter Duty Motor - Pricing

**WIDE CONSTANT POWER RANGE**  
**1000:1 CONSTANT TORQUE**  
**FOR CENTER WINDERS, PAYOFF AND TENSION REELS**  
**IEC DRIP-PROOF GUARDED FORCE VENTILATED (DPFV)**  
**3.7 - 336KW (IP23 - IC06)**  
**3-PHASE, 380V<sup>(2)</sup>**

KW	Speed		Frame	FLA (4) @ 380V	List Price
	Base	C.Power			
56	1150	3450	DL1811	171	\$11,639
	850	2550	DL1813	184	12,350
	850	3400	DL1813	213	12,350
	650	1950	DL2010	160	16,315
	650	2600	DL2010	184	16,315
	500	2000	DL2012	176	17,247
75	1150	3450	DL1813	234	12,350
	850	2550	DL2010	208	16,315
	850	3400	DL2010	240	16,315
	650	1950	DL2012	197	18,952
	650	2600	DL2012	228	18,952
	500	2000	DL2212	246	21,517
91	1150	3450	DL1815	288	13,143
	850	2550	DL2012	231	17,407
	850	3400	DL2012	267	17,407
	650	1950	DL2212	253	21,465
	650	2600	DL2212	292	21,465
	500	2000	DL2510	306	25,853
110	1150	3450	DL2010	313	15,232
	850	2550	DL2212	284	20,847
	850	3400	DL2212	328	20,847
	650	1950	DL2510	298	24,699
	650	2600	DL2510	344	24,699
	500	2000	DL2512	359	34,258
149	1150	3450	DL2212	386	18,644
	850	2550	DL2510	410	24,699
	850	3400	DL2510	475	24,699
	650	1950	DL2512	429	34,258
	650	2600	DL2512	495	34,258
	500	2000	DL2810	530	47,174

KW	Speed		Frame	FLA (4) @ 380V	List Price
	Base	C.Power			
186	1150	3450	DL2212	542	\$20,847
	850	2550	DL2512	526	31,518
	850	3400	DL2512	587	31,518
	650	1950	DL2810	542	47,174
	650	2600	DL2810	626	47,174
	500	2000	DL2814	652	54,178
223	1150	3450	DL2512	595	26,626
	850	2550	DL2808	640	37,698
	650	1950	DL2812	663	48,647
	650	2600	DL2812	765	48,647
260	1150	3000	DL2810	650	47,174
	1150	3450	DL2512	738	26,626
	850	2550	DL2810	746	47,174
	650	1950	DL2814	787	54,178
300	650	2600	DL2814	909	54,178
	1150	3000	DL2810	755	48,647
	850	2550	DL2812	856	51,294
336	650	1950	DL2814	847	55,043
	1150	3000	DL2812	835	51,346
	850	2550	DL2814	955	56,238

For the most current version of Inverter Duty Motor dimension sheets, connection diagrams, design curves, etc., go to [www.reliance.com](http://www.reliance.com).

### Footnotes:

- (1) Other speed ranges and base speeds available. Use the RPM AC Motor Wizard Program for your specific application needs.
- (2) Standard voltages available: 230, 380, 400, 415, 460 & 575v. For any other special voltage, please see voltage in modification section.  
For typical full load amps for proper controller sizing, please use the RPM AC Motor Wizard Program or contact Reliance Electric.
- (3) All RPM AC motors will be 4 Pole Designs, with the exception of DL280 Frames (6 Pole Designs), regardless of the base speed.
- (4) For estimating purposes only. Motor amps can be reduced with a larger frame size motor. Use the RPM AC Motor Wizard Program to facilitate optimal economic matching of motor and controller sizes.
- (5) For typical full load amps, please contact Product Marketing for estimate.

Price Symbol: RPYAC

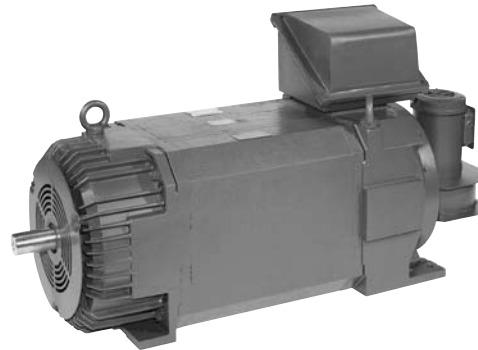


## RPM AC Inverter Duty Motor - Pricing

**WIDE CONSTANT POWER RANGE**  
**1000:1 CONSTANT TORQUE**  
**FOR CENTER WINDERS, PAYOFF AND TENSION REELS**  
**IEC TOTALLY ENCLOSED BLOWER COOLED (TEBC)**  
**3.7 - 186KW (IP44 - IC416)**  
**3-PHASE, 380V<sup>(2)</sup>**  
**CONTINUOUS CONSTANT TORQUE FOR ZERO SPEED**

### FEATURES

- Continuous Duty
- 1000:1 Constant Torque below Base Speed
- Standard 1 Minute Overload
  - 200% below Base Speed
  - 125% above Base Speed
- Optimum Pole Designs - 4 or 6 Pole Designs<sup>(3)</sup>
- Class H Insulation
- 40° C Ambient / 1.0 SF.
- 50 Hz Blower Motor
- Three Thermostats (1 N.C. per Phase)



**56 KW @ 500/2000 rpm, DL2512 Frame IP44 - IC416  
with Inline Blower Motor**

KW	Speed		Frame	FLA (4) @ 380V	List Price
	Base	C.KW			
3.7	850	2550	FDL1108	10	\$2,802
	850	3400	FDL1108	12	2,802
	650	1950	FDL1110	11	3,020
	650	2600	FDL1110	12	3,020
	500	2000	FDL1112	12	3,444
5.6	850	2550	FDL1110	16	3,024
	850	3400	FDL1110	18	3,024
	650	1950	FDL1112	16	3,406
	650	2600	FDL1112	18	3,406
	500	2000	FDL1308	17	3,780
7.5	850	2550	FDL1112	21	3,596
	850	3400	FDL1112	24	3,596
	650	1950	FDL1308	19	4,001
	650	2600	FDL1308	23	4,001
	500	2000	FDL1310	23	4,535
11	850	2550	FDL1307	31	4,515
	850	3400	FDL1307	35	4,515
	650	1950	FDL1609	30	5,723
	650	2600	FDL1609	35	5,723
	500	2000	FDL1611	36	6,122
15	850	2550	FDL1609	40	4,744
	850	3400	FDL1609	46	4,744
	650	1950	FDL1613	40	6,505
	650	2600	FDL1611	46	6,505
	500	2000	FDL1811	45	6,505
18.6	850	2550	FDL1611	50	5,156
	850	3400	FDL1611	58	5,156
	650	1950	DL1811	48	9,378
	650	2600	DL1811	56	9,378
	500	2000	DL1813	58	9,830

KW	Speed		Frame	FLA (4) @ 380V	List Price
	Base	C.KW			
22	850	2550	FDL1613	58	\$6,195
	850	3400	FDL1613	68	6,195
	650	1950	DL1813	57	9,830
	650	2600	DL1813	65	9,830
	500	2000	DL2010	61	11,845
30	850	2550	DL1813	74	9,107
	850	3400	DL1813	86	9,107
	650	1950	DL2010	68	11,557
	650	2600	DL2010	77	11,557
	500	2000	DL2012	82	13,184
37	850	2550	DL1815	96	9,930
	850	3400	DL1815	111	9,930
	650	1950	DL2012	87	13,194
	650	2600	DL2012	100	13,194
	500	2000	DL2508	103	19,364
45	850	2550	DL2010	105	10,630
	850	3400	DL2010	122	10,630
	650	1950	DL2508	100	20,394
	650	2600	DL2508	116	20,394
	500	2000	DL2510	119	23,290
56	850	2550	DL2208	142	15,409
	850	3400	DL2208	163	15,409
	650	1950	DL2508	140	22,073
	650	2600	DL2508	162	22,073
	500	2000	DL2512	151	25,173
75	850	2550	DL2508	183	19,426
	850	3400	DL2510	194	19,426
	650	1950	DL2512	171	25,173
	650	2600	DL2512	197	25,173
	500	2000	DL2808	229	39,660

Price Symbol: RMAC

## RPM AC Inverter Duty Motor - Pricing

**WIDE CONSTANT POWER RANGE**  
**1000:1 CONSTANT TORQUE**  
**FOR CENTER WINDERS, PAYOFF AND TENSION REELS**  
**IEC TOTALLY ENCLOSED BLOWER COOLED (TEBC)**  
**3.7 - 186KW (IP44 - IC416)**  
**3-PHASE, 380V<sup>(2)</sup>**  
**CONTINUOUS CONSTANT TORQUE TO ZERO SPEED**

KW	Speed		Frame	FLA (4) @ 380V	List Price
	Base	C. KW			
91	850	2550	DL2510	222	\$21,492
	850	3400	DL2512	266	21,492
	650	1950	DL2808	232	35,947
	650	2600	DL2808	268	35,947
	500	2000	DL2812	267	44,620
110	850	2550	DL2512	261	26,667
	850	3400	DL2512	303	26,667
	650	1950	DL2810	285	39,346
	650	2600	DL2810	329	39,346
	500	2000	DL2814	333	50,808

KW	Speed		Frame	FLA (4) @ 380V	List Price
	Base	C. KW			
149	850	2550	DL2812	363	\$41,620
186	850	2550	DL2814	477	50,808

For the most current version of Inverter Duty Motor dimension sheets, connection diagrams, design curves, etc., go to [www.reliance.com](http://www.reliance.com).

### Footnotes:

- (1) Other speed ranges and base speeds available. Use the RPM AC Motor Wizard Program for your specific application needs.
- (2) Standard voltages available: 230, 380, 400, 415, 460 & 575v. For any other special voltage, please see voltage in modification section.  
For typical full load amps for proper controller sizing, please use the RPM AC Motor Wizard Program or contact Reliance Electric.
- (3) All RPM AC motors will be 4 Pole Designs, with the exception of DL280 Frames (6 Pole Designs), regardless of the base speed.
- (4) For estimating purposes only. Motor amps can be reduced with a larger frame size motor. Use the RPM AC Motor Wizard Program to facilitate optimal economic matching of motor and controller sizes.
- (5) Larger Kw ratings available with IC666 and IC66W7 heat exchangers. Contact Product marketing for quotation.

Price Symbol: RPMAC

## RPMAC Extruder Duty IP23/IC06 -Drip-Proof Guarded Force Ventilated (DPG-FV) With Filter Class B Temperature Rise at zero RPM with full load torque

When your inverter duty applications require premium performance, beyond standard DPV motors, RPM AC Extruder Duty motors are the perfect solution.

These designs meet Class B temperature rise as noted even with full load torque applied at zero speed .They are still more compact and less weight than most NEMA frame AC or DC motors. Also, available in IEC frames.

### Features:

- Continuous constant torque to zero speed
- 200% minimum starting and overload torque to base speed - for hard to start applications
- NEMA Class B temperature rise (80 Degrees C) even at zero speed full load torque. Four times the insulation life of class F motors
- Standard Class H insulation system –premium epoxy (VPI is standard on L440 frames)
- Two sets of thermostats , warning and shutdown (three of each per phase, total six)
- Washable Filter
- Encoder mounting provisions – machined flange and tapped shaft for stub shaft
- All DL280 frames have insulated opposite drive end bearing
- Wide constant Hp range allows multiple base speed use with one motor
- More compact and less weight than standard NEMA cast iron frames
- 50 Hz blower rating

KW	Speed, RPM		DPG-FV Frame	FLA @400V	List Price
	Base	C. HP			
3.7	1750	2450	FDL1106	9	\$2,747
	1450	2000	FDL1106	9	2,747
5.6	1750	2450	FDL1106	13	3,143
	1450	2150	FDL1108	13	3,205
7.5	1750	2450	FDL1108	16	3,552
	1450	2150	FDL1110	16	3,552
11.0	1750	2450	FDL1112	24	3,633
	1450	3500	RDL1303	24	3,552
15.0	1750	2450	RDL1305	31	3,895
	1450	2150	RDL1307	31	4,497
18.5	1750	2450	RDL1308	39	4,852
	1450	2150	RDL1308	39	4,980
22.0	1750	2450	RDL1307	45	4,497
	1450	2450	RDL1308	45	5,152
30.0	1750	2450	RDL1310	60	5,302
	1450	2000	RDL1609	60	6,582
37.0	1750	2450	RDL1609	74	6,420
	1450	2000	RDL1611	74	7,907
45.0	1750	2450	RDL1611	89	7,930
	1450	2000	RDL1613	89	8,244
56.0	1750	2450	RDL1613	111	8,280
	1450	1850	RDL1613	105	8,361
75.0	1750	2450	DL1811	143	10,134
	1450	2000	DL1813	143	11,355

KW	Speed, RPM		DPG-FV Frame	FLA @400V	List Price
	Base	C. HP			
90.0	1750	2350	DL1813	174	\$11,355
	1450	2500	DL1815	174	14,490
112.0	1750	2450	DL1815	207	14,490
	1450	2000	DL2010	207	15,843
150.0	1750	2450	DL2012	278	19,455
	1450	2000	DL2212	278	21,220
187.0	1750	2450	DL2212	348	21,680
	1450	2000	DL2212	339	21,680
224.0	1750	2450	DL2510	416	25,794
	1450	2000	DL2512	416	26,905
261.0	1750	2450	DL2510	476	25,794
	1450	2000	DL2512	476	34,852
300.0	1750	2450	DL2512	552	31,453
	1450	2000	DL2808(1)	587	45,564
336.0	1750	2450	DL2808(1)	654	45,564
	1450	2000	DL2810(1)	654	49,066
373.0	1750	2700	DL2808(1)	723	45,564
	1450	2000	DL2812(1)	723	49,470
448.0	1750	2450	DL2812(1)	860	52,311
	1450	2000	DL2814(1)	860	56,882
525.0	1750	2450	DL2814(1)	999	58,748

(1) All DL280 frames include premium class H insulation with VPI, and an insulated opposite drive end bearing.

(2) For flange mounting options, and TEFC or TEBC options, contact Reliance Electric

For the most current version of Inverter Duty Motor dimension sheets, connection diagrams, design curves, etc., go to [www.reliance.com](http://www.reliance.com).

### Footnotes:

(1) Standard voltages available: 230, 380, 415, 460, and 575 volts except 230 volts not available in certain higher HP. For any other special voltage, please see voltage in modification section.

For typical full load amps, use RPM AC Motor Wizard, or contact Reliance Electric.

(2) Other base speeds available.

(3) Peak Torque, is the One-Minute Overload Torque available from 0 RPM to the maximum speed at which the inverter can maintain constant flux at this overload. In some cases this value may be less than base speed.

(4) For estimating purposes only.

**Price Symbol: RPMAC**

## RPM AC Inverter Duty Motor - Pricing

### IEC MEDIUM and LOW INERTIA INDUCTION SERVO DRIP-PROOF GUARDED FORCE VENTILATED (DPFV) 3-PHASE, 380V<sup>(1)</sup> CONTINUOUS CONSTANT TORQUE TO ZERO SPEED

Standard RPM AC DPFV motors inherently have the lowest inertia (highest torque to inertia ratio) of any induction motor. MEDIUM INERTIA INDUCTION SERVO MOTORS use the standard DPFV rotor inertia with high vibration feature enhancements for use in fast response applications.

EXTRA LOW INERTIA RPM AC DPFV motors are available in frames ADL220 and ADL250. These AL frames have been designed specifically to offer the lowest induction motor inertia for even faster response than the MEDIUM INERTIA motors. Typical applications include transfer presses, flying die shears, carriage cut off and cyclic cutter knife drives. RPM AC motors have been successfully applied to various types of positioning systems in the automotive, metals, paper, corrugating and printing industries.

Induction Servo motors are rated in continuous torque instead of HP. To determine the frame size and FLA, select the continuous torque rating in units desired (Lbs-Ft. or Newton Meters) at the required base speed from the table below.

#### FEATURES

- S1 Duty (Continuous)
- 1000:1 Constant Torque Below Base Speed
- IP23/IC06 Enclosure (DPFV)
- Base Speeds: See Rating Table<sup>(2)</sup>
- Optimum Pole Designs:
  - FDL112 - DL250 Frames - 4 Pole
  - DL280 Frames - 6 Pole
- 40° C Ambient / 1.0 S.F.
- Class H Insulation
- Three Thermostats (1 N.C. per Phase)
- High Vibration Duty Features:
  - Braced Blower Assembly
  - Lockwashers and Loctite™ on All Fasteners
  - VPI Insulation System

Medium Inertia Servo Motors - 50 Hz Blower														
Frame	Rotor Inertia			Torque				FLA <sup>(4)</sup> @ 380V at Base Speed Shown					List Price	
	NEMA	WK <sup>2</sup>	GD <sup>2</sup>	MR <sup>2</sup>	Continuous	Peak <sup>(3)</sup>	Continuous	Peak <sup>(3)</sup>	Base RPM					
		LB-FT <sup>2</sup>	KG-M <sup>2</sup>	KG-M <sup>2</sup>	LB-FT	LB-FT	N-M	N-M	500	850	1150	1500		1750
FDL1106		0.092	0.066	0.016	40	72	54	98	7	12	16	20	23	\$4,625
FDL1108		0.530	0.088	0.022	55	100	75	135	10	16	21	27	30	4,775
FDL1110		0.645	0.108	0.027	70	125	95	170	12	19	25	39	39	4,992
FDL1112		0.800	0.136	0.034	82	146	111	198	15	24	31	41	47	5,110
RDL1307		1.92	0.320	0.080	92	166	125	225	16	25	33	44	50	5,775
RDL1308		2.32	0.392	0.098	140	251	190	340	23	38	50	63	74	6,215
RDL1310		2.64	0.444	0.111	151	272	205	369	24	40	53	68	79	6,841
RDL1609		3.50	0.590	0.147	200	300	270	405	31	52	69	89	103	8,387
RDL1611		4.20	0.708	0.177	260	390	353	530	41	66	89	166	132	9,630
RDL1613		4.90	0.840	0.210	330	495	447	670	50	84	112	142	115	10,813
DL1811		8.30	1.40	0.350	420	631	570	855	63	105	139	181	206	13,328
DL1813		9.70	1.64	0.410	483	726	655	985	73	121	159	205	234	15,069
DL1815		11.1	1.88	0.470	590	885	800	1200	87	144	194	245	286	16,058
DL2010		21	3.56	0.890	700	1,050	950	1425	104	171	223	291	341	18,581
DL2012		24	4.04	1.01	848	1,526	1150	2070	123	203	270	355	413	21,424
DL2210		35	5.88	1.47	870	1,305	1180	1770	128	209	279	366	426	22,990
DL2212		45	7.60	1.90	1069	1,925	1450	2610	153	252	343	396	511	27,357
DL2510		73	12.32	3.08	1254	2,508	1700	3400	180	295	401	513	602	35,226
DL2512		85	14.32	3.58	1564	3,127	2120	4240	217	370	491	683	792	38,131
DL2808		150	25.28	6.32	1770	2,655	2400	3600	268	446	598	769	890	47,061
DL2810		169	28.48	7.12	2200	3,300	2980	4470	337	561	797	964	1,115	51,201
DL2812		189	31.84	7.96	2400	3,800	3258	4880	360	600	762	1,026	1,186	54,044
DL2814		207	34.88	8.72	2508	4,499	3400	6100	374	623	832	1,070	-	61,007

Price Symbol: RPYAC

## RPM AC Inverter Duty Motor - Pricing

### IEC MEDIUM and LOW INERTIA INDUCTION SERVO DRIP-PROOF GUARDED FORCE VENTILATED (DPFV) 3-PHASE, 380V<sup>(1)</sup> CONTINUOUS CONSTANT TORQUE TO ZERO SPEED

V\*S Master Motors

RPM AC Motors  
1/3 - 2 HP

RPM AC Motors  
2 - 1,000 HP

Large AC Motors

Small, Medium & Large DC Motors

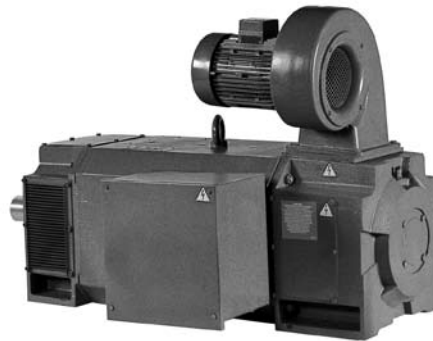
Low Inertia Servo Motors - 50 Hz Blower

Frame	Inertia			Torque				FLA <sup>(4)</sup> @ 380V					List Price
	WK <sup>2</sup>	GD <sup>2</sup>	MR <sup>2</sup>	Continuous	Peak <sup>(3)</sup>	Continuous	Peak <sup>(3)</sup>	500	850	1150	1500	1750	
	LB-FT <sup>2</sup>	KG-M <sup>2</sup>	KG-M <sup>2</sup>	LB-FT	LB-FT	N-M	N-M	RPM	RPM	RPM	RPM	RPM	IEC Frame
ADL2210	19	3.2	0.8	850	1,529	1153	2073	125	202	271	353	406	\$27,656
ADL2212	24.5	4.12	1.03	1105	1,988	1498	2695	159	260	347	444	519	32,883
ADL2508	37.8	6.36	1.59	1260	2,519	1709	3415	179	288	390	508	593	36,802
ADL2510	45.5	7.68	1.92	1550	3,098	2102	4201	219	351	476	613	724	39,861
ADL2512	52.4	8.84	2.21	1830	3,658	2481	4959	256	419	562	718	855	44,403

For the most current version of Inverter Duty motor dimension sheets, connection diagrams, design curves, etc., go to [www.reliance.com](http://www.reliance.com)

#### Footnotes:

- (1) Standard voltages available: 230, 380, 400, 415, 460 and 575 volts except 230 volts not available in certain higher HP. For any other special voltage, please see voltage in modification section. For typical full load amps, use RPM AC Motor Wizard, or contact Reliance Electric.
- (2) Other base speeds available.
- (3) Peak Torque, is the One-Minute Overload Torque available from 0 RPM to the maximum speed at which the inverter can maintain constant flux at this overload. In some cases this value may be less than base speed.
- (4) For estimating purposes only.



**DL2814 Frame IP23/IC06**  
**3400 N-M Constant Torque**

Price Symbol: RMAC